



PARKOUR FREESTANDING

CP352-SLIDE LEFT



PRODUCT INFORMATION



Product Line	●	New Generation
User Ages	●	3-12
User Capacity	●	2
Fall Height	●	90cm
Dimension	●	165cm x 385cm
Safety Area	●	21m ²
Safety Dimension	●	365cm x 585cm
Maximum Height	●	200cm
Weight	●	kg
Safety Certificate	●	EN 1176-1

PRODUCT DESCRIPTION

Parkour series is a competitive and multi-user product that encourages the user to speed and agility. It allows the user to use his motor skills with functions such as running, climbing, jumping, crawling, balancing and sliding. It allows the user to compete with other users in the game and improves the awareness of competition. Teaches the feelings of winning and losing.

The user is intended to climb to the slide using a rope and slide down.

ACTIVITIES



Sliding





PARKOUR FREESTANDING

CP352-SLIDE LEFT



PRODUCT SPECIFICATION



Number of Users
•
2



Number of Roofs
•
0



Number of Slides
•
1



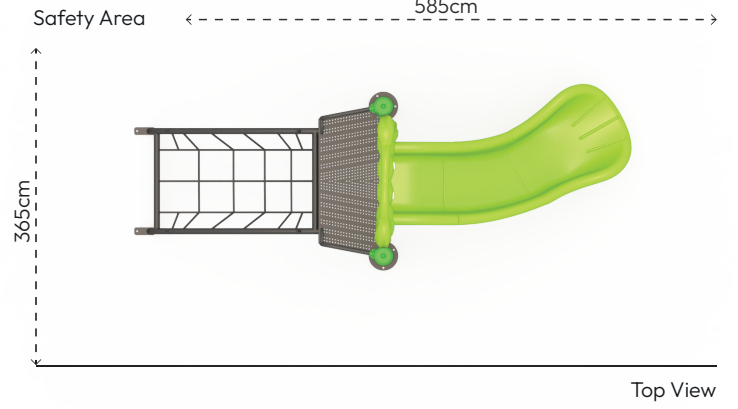
Number of Entrances
•
1

RENKOR PALETTE



MATERIAL SPECIFICATION

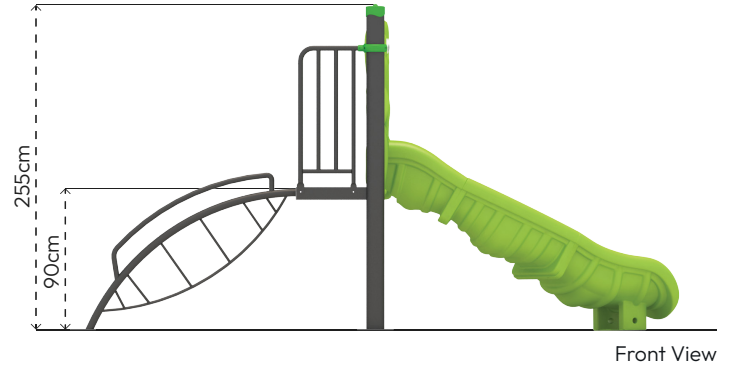
- Main construction is made of steel pipes, diameter 114mm and thickness 2.5mm.
- Slide and slide entrance are made of medium-density polyethylene material with the rotation technique.
- Panels are made of medium-density polyethylene material with the rotation technique.
- Rope is made of polypropylene braided steel rope, diameter 16mm with 6 steel rope helices.
- The metal surfaces of the product have been cleaned by sandblasting, washing, rinsing, and drying and it has been painted with electrostatic powder coating.
- Pipe and profile openings are covered with plastic injection caps.
- The floor flange is made of 5mm steel sheet.
- Screws are covered with plastic caps.
- Product doesn't have sharp edges and surfaces.
- Product has been produced in accordance with EN1176 standards.
- Please contact to Polfisan for updated information about product.



Top View



Side View



Front View

