



TRANSFORMERS

CR104



PRODUCT INFORMATION



Product Line	●	Themed
User Ages	●	3-12
User Capacity	●	27
Fall Height	●	200cm
Dimension	●	640cm x 870cm
Safety Area	●	110m ²
Safety Dimension	●	940cm x 1170cm
Maximum Height	●	500cm
Weight	●	990kg
Safety Certificate	●	EN 1176-3

PRODUCT DESCRIPTION

Robot series with a robotic theme develops basic motor skills of the user with climbing and sliding functions. It allows users to socialize.

ACTIVITIES



Sliding



Climbing



Running



Sitting



Socializing



Crawling

Address: Yukarı Eğercili Mahallesi, Atatürk Bulvarı, No:122 Çarşamba/SAMSUN Post Code: 55500

Tel: +90 362 266 66 96 polfisan@polfisan.com.tr www.polfisan.com.tr



Made in Türkiye



TRANSFORMERS

CR104



PRODUCT SPECIFICATION



Number of
Users
•
27



Number of
Roofs
•
1



Number of
Slides
•
4



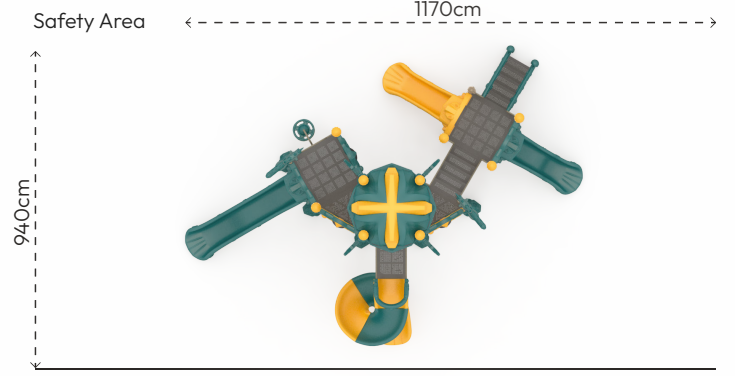
Number of
Entrances
•
2

COLOR PALETTE



MATERIAL SPECIFICATION

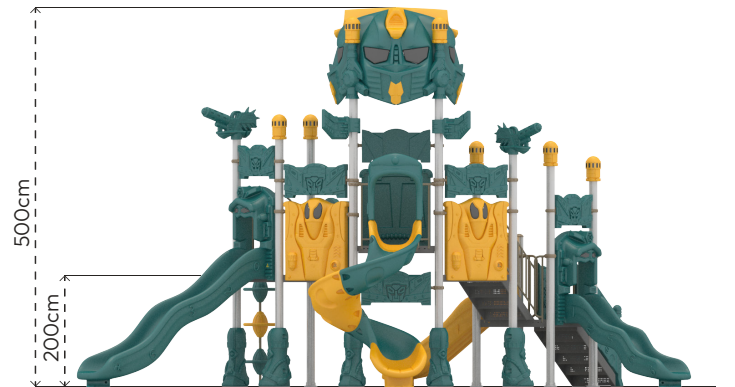
- Main construction is made of steel pipes, diameter 114mm and thickness 2.5mm.
- Platforms are made of steel sheet which has 2mm thickness and covered with PVC plastisol.
- Roof, slide and panels are made of medium-density polyethylene material with the rotation technique.
- Stair treads are made of sheet coated by plastisol rubber. Stair railings are made of medium-density polyethylene with the rotation technique.
- Pipe and profile openings are covered with plastic injection caps.
- The metal surfaces of the product have been cleaned by sandblasting, washing, rinsing, and drying and it has been painted with electrostatic powder coating.
- Screws are covered with plastic caps.
- Product doesn't have sharp edges and surfaces.
- Product has been produced in accordance with EN1176 standards.
- Please contact to Polfisan for updated information about product.



Top View



Side View



Front View

