



# TRANSFORMERS

## CR105



### PRODUCT INFORMATION



Product Line	● Themed
User Ages	● 3-12
User Capacity	● 27
Fall Height	● 200cm
Dimension	● 740cm x 960cm
Safety Area	● 131m <sup>2</sup>
Safety Dimension	● 1040cm x 1260cm
Maximum Height	● 500cm
Weight	● 1080kg
Safety Certificate	● EN 1176-3

### PRODUCT DESCRIPTION

Robot series with a robotic theme develops basic motor skills of the user with climbing and sliding functions. It allows users to socialize.

### ACTIVITIES



Sliding



Climbing



Running



Sitting



Socializing



Crawling

Address: Yukarı Eğercili Mahallesi, Atatürk Bulvarı, No:122 Çarşamba/SAMSUN Post Code: 55500

Tel: +90 362 266 66 96 polfisan@polfisan.com.tr www.polfisan.com.tr



Made in Türkiye



# TRANSFORMERS

## CR105



### PRODUCT SPECIFICATION



Number of Users  
•  
27



Number of Roofs  
•  
1



Number of Slides  
•  
5



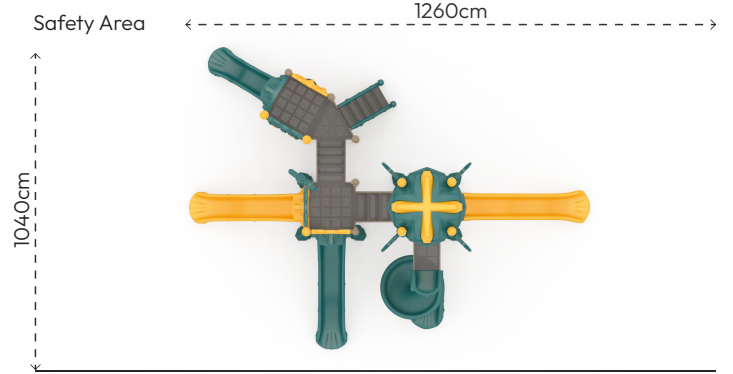
Number of Entrances  
•  
1

### COLOR PALETTE



### MATERIAL SPECIFICATION

- Main construction is made of steel pipes, diameter 114mm and thickness 2.5mm.
- Platforms are made of steel sheet which has 2mm thickness and covered with PVC plastisol.
- Roof, slide and panels are made of medium-density polyethylene material with the rotation technique.
- Stair treads are made of sheet coated by plastisol rubber. Stair railings are made of medium-density polyethylene with the rotation technique.
- Pipe and profile openings are covered with plastic injection caps.
- The metal surfaces of the product have been cleaned by sandblasting, washing, rinsing, and drying and it has been painted with electrostatic powder coating.
- Screws are covered with plastic caps.
- Product doesn't have sharp edges and surfaces.
- Product has been produced in accordance with EN1176 standards.
- Please contact to Polfisan for updated information about product.



Top View



Side View



Front View

