



TRAIN CT102



PRODUCT INFORMATION

Product Line	Themed
User Ages	3-12
User Capacity	23
Fall Height	150cm
Dimension	470cm x 980cm
Safety Area	99m ²
Safety Dimension	770cm x 1280cm
Maximum Height	375cm
Weight	830kg
Safety Certificate	EN 1176-3



PRODUCT DESCRIPTION

Having a vertical structure and details on the train body, the Train series develops the user's basic motor skills with its climbing and sliding functions. It allows users to socialize.

ACTIVITIES



Sliding



Climbing



Running



Sitting



Socializing



Crawling





TRAIN CT102



PRODUCT SPECIFICATION



Number of
Users
•
23



Number of
Roofs
•
2



Number of
Slides
•
3



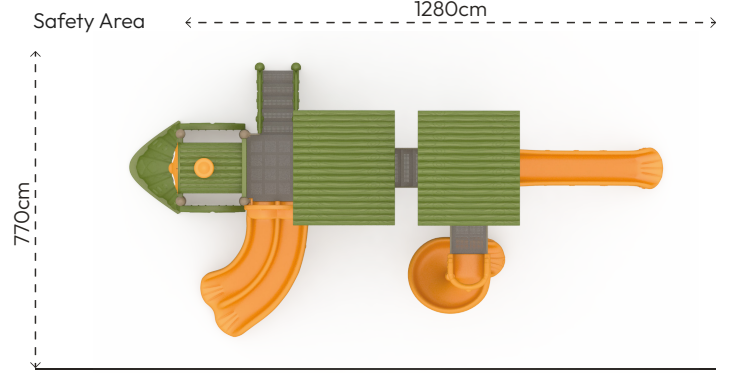
Number of
Entrances
•
1

COLOR PALETTE



MATERIAL SPECIFICATION

- Main construction is made of steel pipes, diameter 114mm and thickness 2.5mm.
- Platforms are made of steel sheet which has 2mm thickness and covered with PVC plastisol.
- Roof, slide and panels are made of medium-density polyethylene material with the rotation technique.
- Stair treads are made of sheet coated by plastisol rubber. Stair railings are made of medium-density polyethylene with the rotation technique.
- Pipe and profile openings are covered with plastic injection caps.
- The metal surfaces of the product have been cleaned by sandblasting, washing, rinsing, and drying and it has been painted with electrostatic powder coating.
- Screws are covered with plastic caps.
- Product doesn't have sharp edges and surfaces.
- Product has been produced in accordance with EN1176 standards.
- Please contact to Polfisan for updated information about product.



Top View



Side View



Front View

