



COMPACT SWING

HB102-TOWN



PRODUCT INFORMATION



Product Line	●	Compact
User Ages	●	3-12
User Capacity	●	2
Fall Height	●	120cm
Dimension	●	135cm x 335cm
Safety Area	●	35m ²
Safety Dimension	●	650cm x 535cm
Maximum Height	●	220cm
Weight	●	120kg
Safety Certificate	●	EN 1176-2

PRODUCT DESCRIPTION

Swings have always been indispensable in parks. It allows users to play games both individually and with friends. As well as being fun and will enable kids to work out their arm, leg, and core muscles.

Swing seats are designed and shaped to provide a safe seat position for a broad age group.

ACTIVITIES



Swing



Sitting



Socializing





COMPACT SWING

HB102-TOWN



PRODUCT SPECIFICATION



Number of Users
•
2



Number of Roofs
•
0



Number of Slides
•
0



Number of Entrances
•
0

COLOR PALETTE



MATERIAL SPECIFICATION

Main structure is made of pipes, diameter 89mm and thickness 2.5mm.

Panels are made of HPL sheets resistant to all weather conditions.

Plastic seat is made of medium-density polyethylene material. Rubber seat is made of rubber material.

The chain is produced with a smooth surface coating, 5mm thick, hot-dip galvanized.

The metal surfaces of the product have been cleaned by sandblasting, washing, rinsing, and drying; zinc primer has been applied to increase corrosion resistance, and it has been painted with electrostatic powder coating.

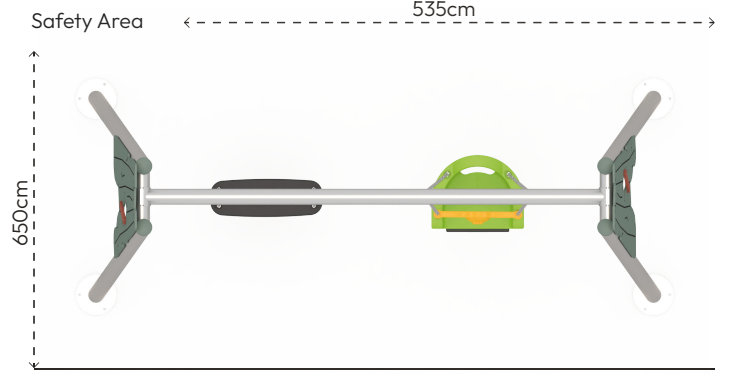
Pipe and profile openings are covered with plastic injection caps.

Screws are covered with plastic caps.

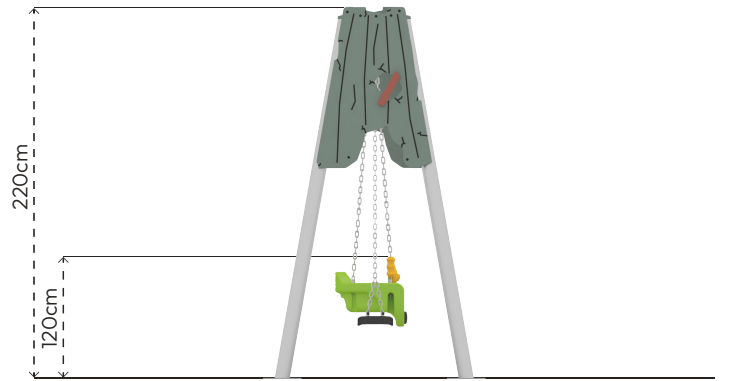
Product doesn't have sharp edges and surfaces.

Product has been produced in accordance with EN1176 standards.

Please contact to Polfisan for updated information about product.



Top View



Side View



Front View

