



HAWK
HB501



PRODUCT INFORMATION

Product Line	●	Digital
User Ages	●	3-12
User Capacity	●	20
Fall Height	●	100cm
Dimension	●	580cm x 630cm
Safety Area	●	81m ²
Safety Dimension	●	980cm x 830cm
Maximum Height	●	310cm
Weight	●	kg
Safety Certificate	●	EN 1176-3



PRODUCT DESCRIPTION

Hawk is an innovative helicopter-themed play set that takes children's imaginations to sky. Inspired by rescue and exploration, its unique helicopter design invites children to engage in active play; it also supports role-playing, sharing and social interaction among little pilots, enabling them to participate in a realistic play experience.

ACTIVITIES



Sliding



Climbing



Sitting



Role Play



Thinking



Hand Skill



Socializing



Hanging

Address: Yukarı Eğercili Mahallesi, Atatürk Bulvarı, No:122 Çarşamba/SAMSUN Post Code: 55500

Tel: +90 362 266 66 96 polfisan@polfisan.com.tr www.polfisan.com.tr



Made in Türkiye



HAWK

HB501



PRODUCT SPECIFICATION



Number of Users
•
20



Number of Roofs
•
1



Number of Slides
•
2



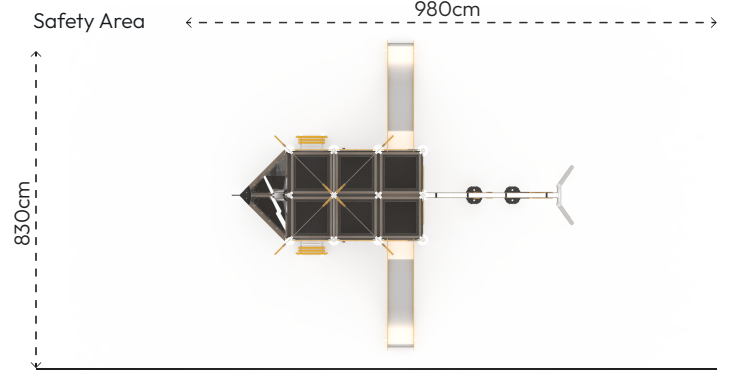
Number of Entrances
•
2

COLOR PALETTE

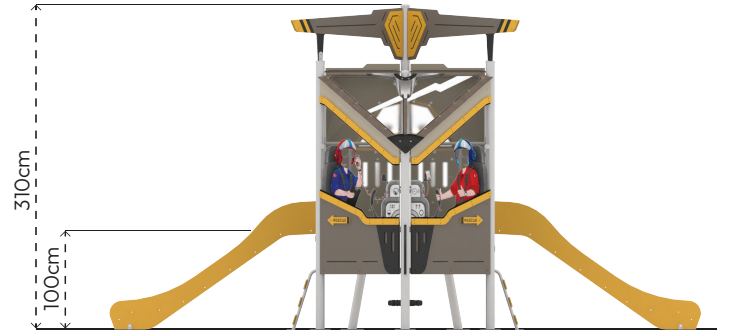


MATERIAL SPECIFICATION

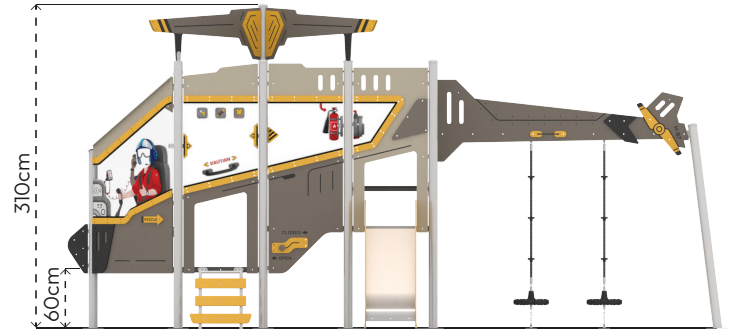
- Main construction is made of steel pipes, diameter 89mm and thickness 3mm.
- Plastic parts are made of medium-density polyethylene material with the rotation technique.
- Platforms are made of 18mm plywood.
- Roof, railings and panels are made of HPL (High Pressure Laminate) and UV-protected Polycarbonate panels, which are resistant to all weather conditions.
- It is produced using digital printing with high-quality UV curing inks that are resistant to all weather conditions.
- Slide surface is high-strength HDPE material with 15mm thickness. Slide walls are made of HPL.
- Rope is made of polypropylene braided steel rope, diameter 16mm with 6 steel rope helices.
- Pipe and profile openings are covered with plastic injection caps.
- The metal surfaces of the product have been cleaned by sandblasting, washing, rinsing, and drying; zinc primer has been applied to increase corrosion resistance, and it has been painted with electrostatic powder coating.
- Screws are covered with plastic caps.
- Product doesn't have sharp edges and surfaces.
- Product has been produced in accordance with EN1176 standards.
- Please contact to Polfisan for updated information about product.



Top View



Side View



Front View

