

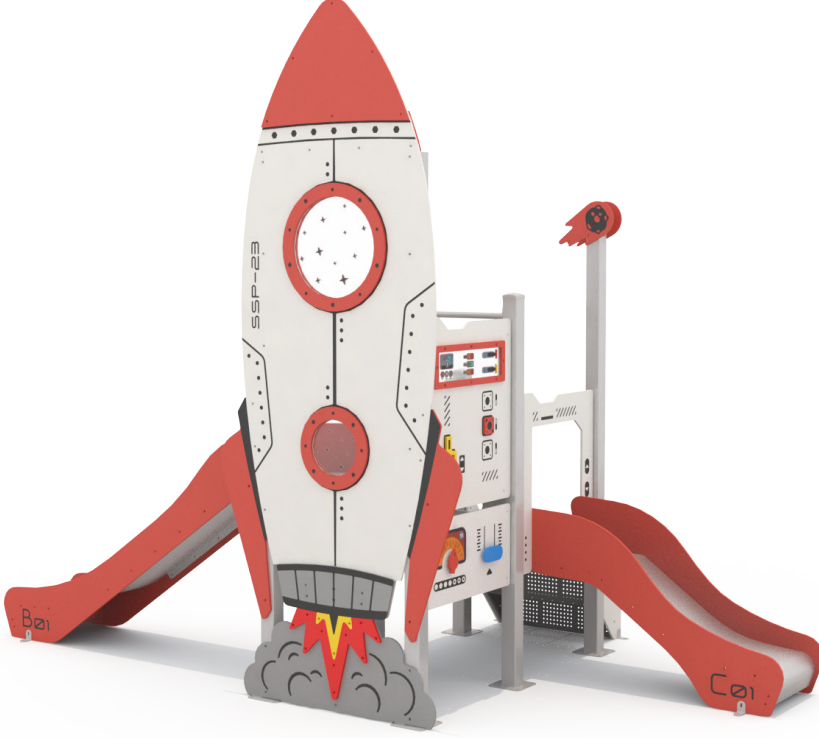


# ROCKET

## HC102



### PRODUCT INFORMATION



Product Line	●	Compact
User Ages	●	3-12
User Capacity	●	9
Fall Height	●	100cm
Dimension	●	214cm x 419cm
Safety Area	●	37m <sup>2</sup>
Safety Dimension	●	514cm x 719cm
Maximum Height	●	325cm
Weight	●	kg
Safety Certificate	●	EN 1176-3

### PRODUCT DESCRIPTION

The Rocket series is designed to take little users on a journey through the depths of space, filled with exploration of the universe. The aim is for little cosmic travelers to reach the stars with the help of control panels and the boundlessness of their imagination.

To infinity and beyond!

### ACTIVITIES



Sliding



Climbing



Running



Sitting



Role Play



Thinking



Hand Skill



Socializing





# ROCKET HC102



## PRODUCT SPECIFICATION



Number of  
Users  
•  
9



Number of  
Roofs  
•  
0



Number of  
Slides  
•  
2



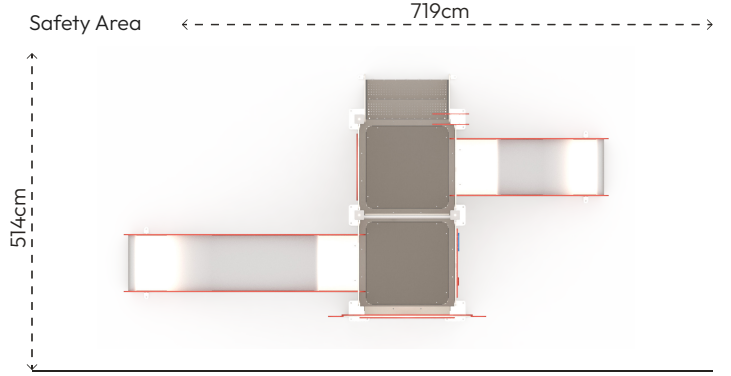
Number of  
Entrances  
•  
1

## COLOR PALETTE

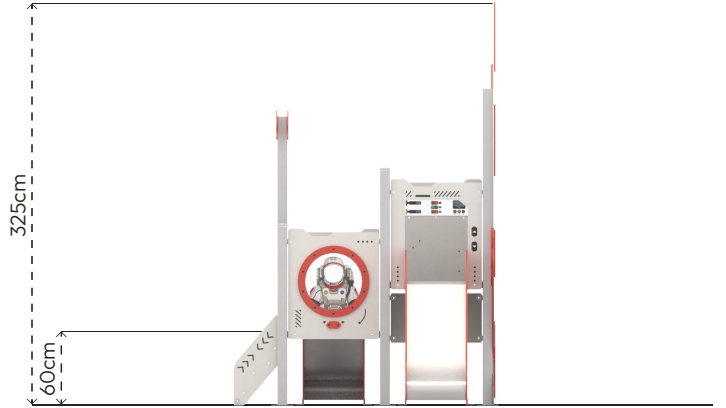


## MATERIAL SPECIFICATION

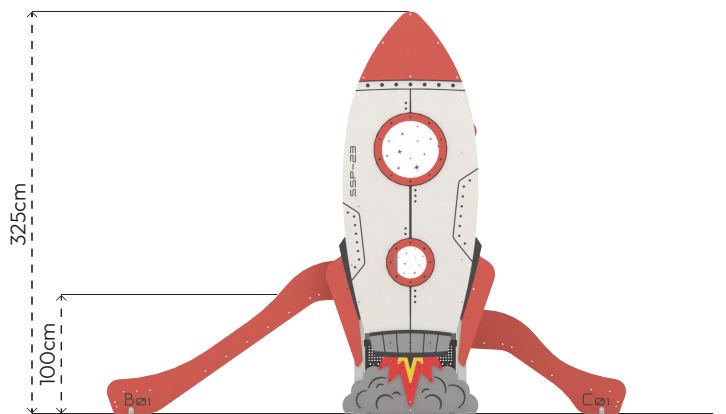
- 80x80mm steel profile is used as main construction.
- Platforms are made of 18mm plywood.
- Panels are made of HPL (High Pressure Laminate) and UV-protected Polycarbonate panels, which are resistant to all weather conditions.
- It is produced using digital printing with high-quality UV curing inks that are resistant to all weather conditions.
- Stair treads are made of sheet coated by plastisol rubber. Stair railings are made of HPL.
- Slide surface is high-strength HDPE material with 15mm thickness. Slide walls are made of HPL.
- The metal surfaces of the product have been cleaned by sandblasting, washing, rinsing, and drying; zinc primer has been applied to increase corrosion resistance, and it has been painted with electrostatic powder coating.
- Pipe and profile openings are covered with plastic injection caps.
- Screws are covered with plastic caps.
- Product doesn't have sharp edges and surfaces.
- Product has been produced in accordance with EN1176 standards.
- Please contact to Polfisan for updated information about product.



Top View



Side View



Front View

