

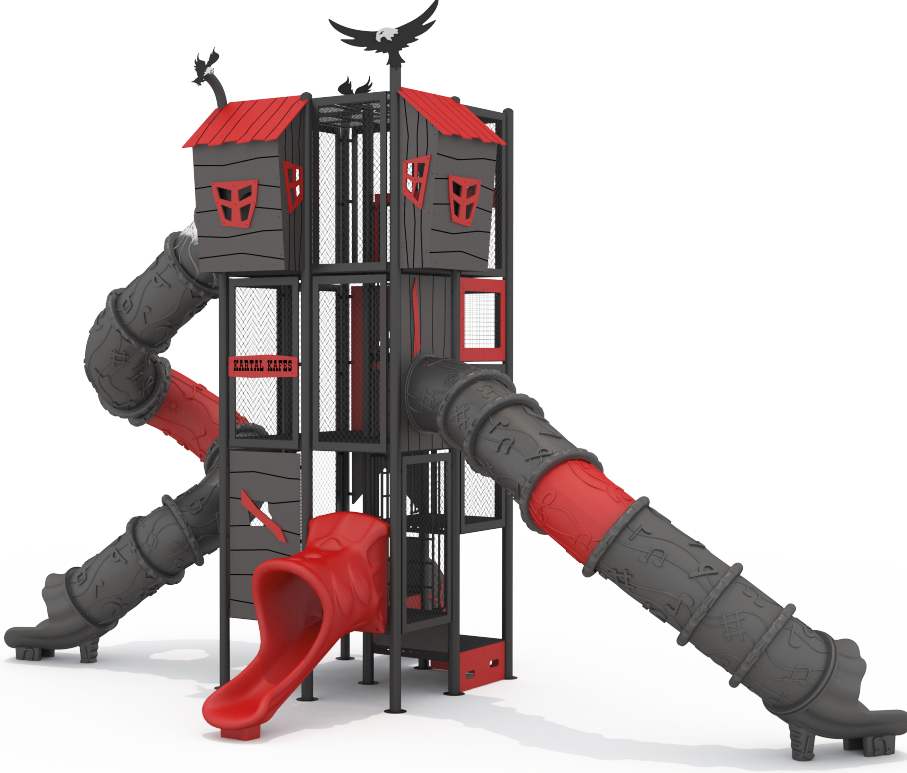


# EAGLE'S NEST

## HK101



### PRODUCT INFORMATION



Product Line	●	Compact
User Ages	●	3-12
User Capacity	●	47
Fall Height	●	95cm
Dimension	●	540cm x 1090cm
Safety Area	●	140m <sup>2</sup>
Safety Dimension	●	940cm x 1490cm
Maximum Height	●	715cm
Weight	●	2551kg
Safety Certificate	●	EN 1176-3

### PRODUCT DESCRIPTION

It is a high tower game series that offers the user a wide playing field and a feeling of freedom during the game thanks to the transparent general design that consists of a square pulley system.

In the Eagle's Nest series, with a vertical tower structure soaring into the sky like eagles, was visualized by targeting the integrity of the design rather than the detailed design.

### ACTIVITIES



Sliding



Climbing



Running



Sitting



Socializing





# EAGLE'S NEST

## HK101



### PRODUCT SPECIFICATION



Number of Users  
•  
47



Number of Roofs  
•  
1



Number of Slides  
•  
3



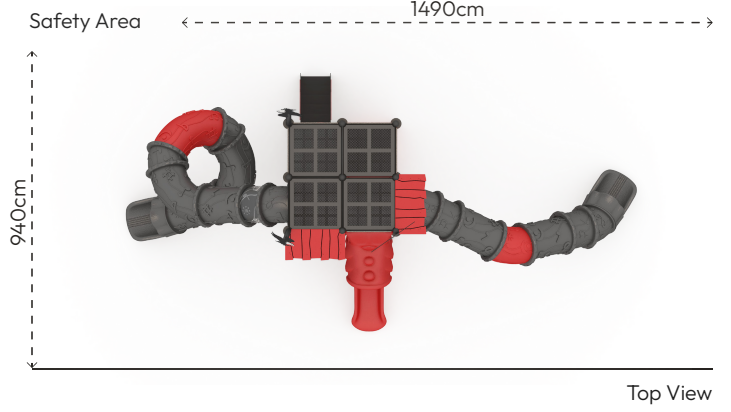
Number of Entrances  
•  
2

### COLOR PALETTE

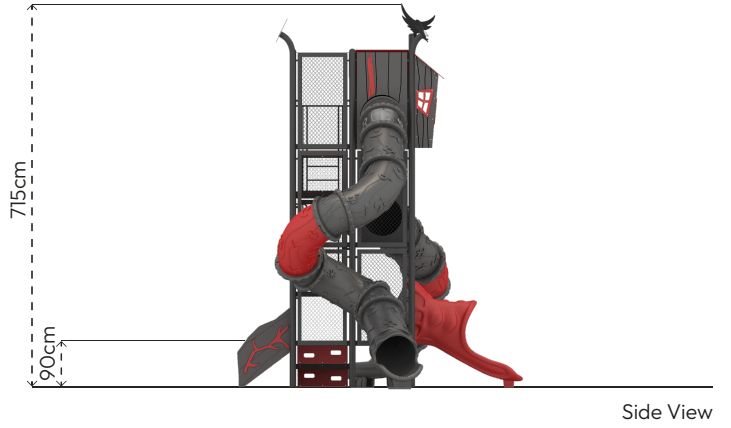


### MATERIAL SPECIFICATION

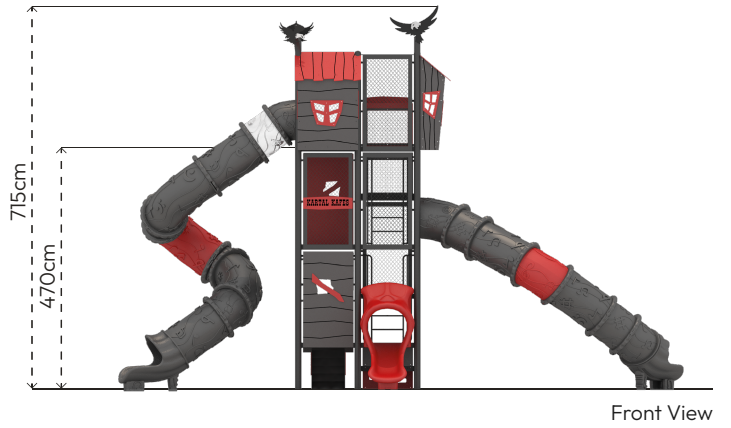
- Main construction is made of steel pipes, diameter 114mm and thickness 2.5mm.
- Platforms are made of steel sheet which has 2mm thickness and covered with PVC plastisol.
- Roof, railings and panels are made of HPL sheets resistant to all weather conditions.
- Stair treads are made of sheet coated by plastisol rubber. Stair railings are made of HPL.
- The slide is made of medium-density polyethylene material with the rotation technique.
- Tube slide is made of medium-density polyethylene material in a tunnel shape and transparent polycarbonate.
- The metal surfaces of the product have been cleaned by sandblasting, washing, rinsing, and drying; zinc primer has been applied to increase corrosion resistance, and it has been painted with electrostatic powder coating.
- Pipe and profile openings are covered with plastic injection caps.
- Screws are covered with plastic caps.
- Product doesn't have sharp edges and surfaces.
- Product has been produced in accordance with EN1176 standards.
- Please contact to Polfisan for updated information about product.



Top View



Side View



Front View

