



**OCEAN**  
HO106



#### PRODUCT INFORMATION



Product Line	●	Compact
User Ages	●	3-12
User Capacity	●	17
Fall Height	●	150cm
Dimension	●	620cm x 760cm
Safety Area	●	98m <sup>2</sup>
Safety Dimension	●	920cm x 1060cm
Maximum Height	●	400cm
Weight	●	937kg
Safety Certificate	●	EN 1176-3

#### PRODUCT DESCRIPTION

Story of some funny-faced sea creatures under a vast ocean, Ocean is a game series that provides easy access for children.

The Ocean series, which also contains various activity elements, teaches while entertaining and makes you laugh while teaching.

#### ACTIVITIES



Sliding



Climbing



Running



Sitting



Role Play



Hand Skill



Socializing

Address: Yukarı Eğercili Mahallesi, Atatürk Bulvarı, No:122 Çarşamba/SAMSUN Post Code: 55500

Tel: +90 362 266 66 96 polfisan@polfisan.com.tr www.polfisan.com.tr



Made in Türkiye



**OCEAN**  
HO106



#### PRODUCT SPECIFICATION



Number of  
Users  
•  
17



Number of  
Roofs  
•  
2



Number of  
Slides  
•  
3



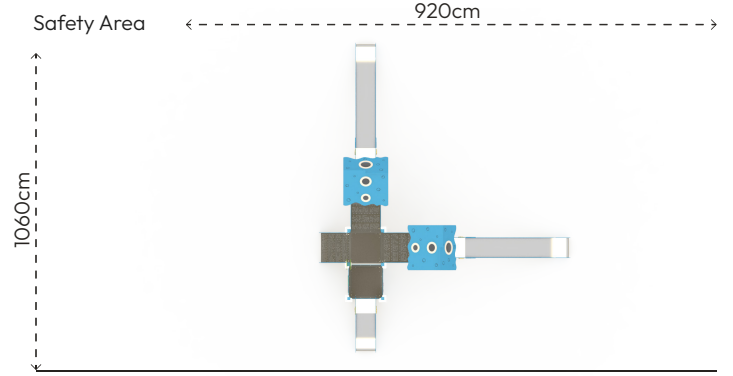
Number of  
Entrances  
•  
2

#### COLOR PALETTE

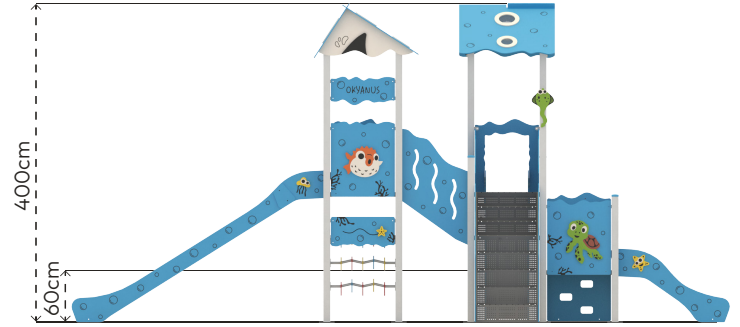


#### MATERIAL SPECIFICATION

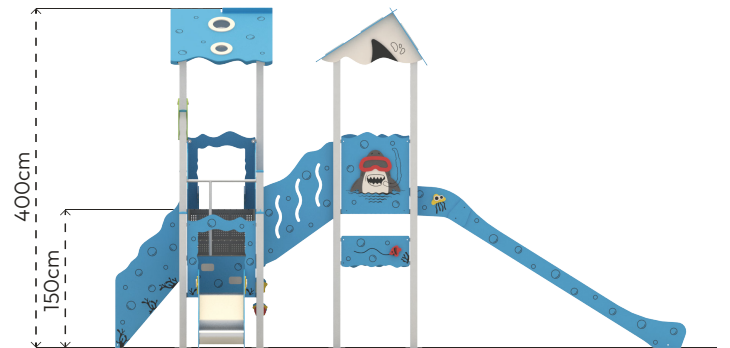
- 80x80mm steel profile is used as main construction.
- Platforms are made of 18mm plywood.
- Roof, railings and panels are made of HPL sheets resistant to all weather conditions.
- Slide surface is high-strength HDPE material with 15mm thickness. Slide walls are made of HPL.
- The metal surfaces of the product have been cleaned by sandblasting, washing, rinsing, and drying; zinc primer has been applied to increase corrosion resistance, and it has been painted with electrostatic powder coating.
- Pipe and profile openings are covered with plastic injection caps.
- Screws are covered with plastic caps.
- Product doesn't have sharp edges and surfaces.
- Product has been produced in accordance with EN1176 standards.
- Please contact to Polfisan for updated information about product.



Top View



Side View



Front View

