



NATURE PLAYGROUND

KZ130



PRODUCT INFORMATION

Product Line	● Nature
User Ages	● 3-12
User Capacity	● 17
Fall Height	● 190cm
Dimension	● 580cm x 900cm
Safety Area	● 106m ²
Safety Dimension	● 880cm x 1200cm
Maximum Height	● 475cm
Weight	● kg
Safety Certificate	● EN 1176-3



PRODUCT DESCRIPTION

Nature product is a playground whose main pipes covered by high-quality wooden composite material. It has colors of nature in all of the remaining components. In addition to the stairs used in standard playground series, access richness has provided to users with various access elements.

ACTIVITIES



Sliding



Climbing



Balance



Sitting



Socializing

Address: Yukarı Eğercili Mahallesi, Atatürk Bulvarı, No:122 Çarşamba/SAMSUN Post Code: 55500

Tel: +90 362 266 66 96 polfisan@polfisan.com.tr www.polfisan.com.tr



Made in Türkiye



NATURE PLAYGROUND

KZ130



PRODUCT SPECIFICATION



Number of Users
•
17



Number of Roofs
•
2



Number of Slides
•
3



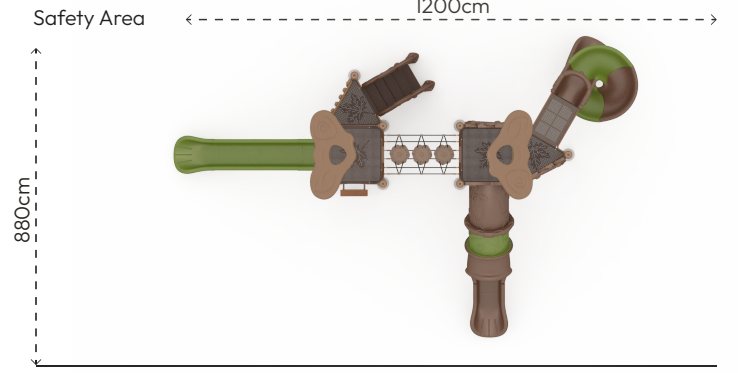
Number of Entrances
•
2

COLOR PALETTE



MATERIAL SPECIFICATION

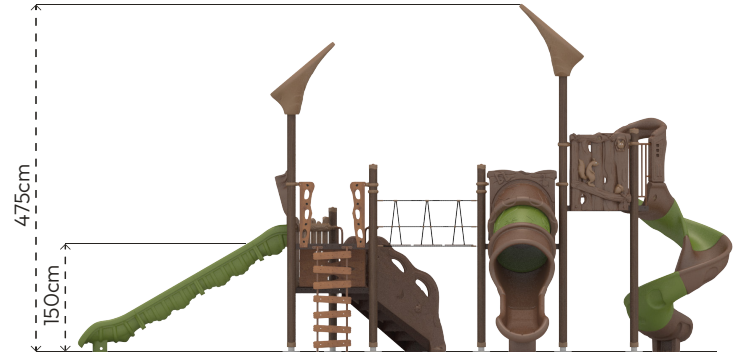
- Main construction is made of steel pipes, diameter 89,9mm and thickness 2,5mm.
- The product uprights are wood-like composite material with a diameter of 114 mm and a thickness of 12 mm, which covers a steel pipe with a diameter of 89,9 mm, manufactured by extrusion method.
- Platforms are made of steel sheet which has 2mm thickness and covered with PVC plastisol.
- Roof, slide and panels are made of medium-density polyethylene material with the rotation technique.
- Stair treads are made of sheet coated by plastisol rubber. Stair railings are made of medium-density polyethylene with the rotation technique.
- Tube slide is made of medium-density polyethylene material in a tunnel shape.
- Rope is made of polypropylene braided steel rope, diameter 16mm with 6 steel rope helices.
- Pipe and profile openings are covered with plastic injection caps.
- The metal surfaces of the product have been cleaned by sandblasting, washing, rinsing, and drying and it has been painted with electrostatic powder coating.
- Screws are covered with plastic caps.
- Product doesn't have sharp edges and surfaces.
- Product has been produced in accordance with EN16630 standards.
- Please contact to Polfisan for updated information about product.



Top View



Side View



Front View

