

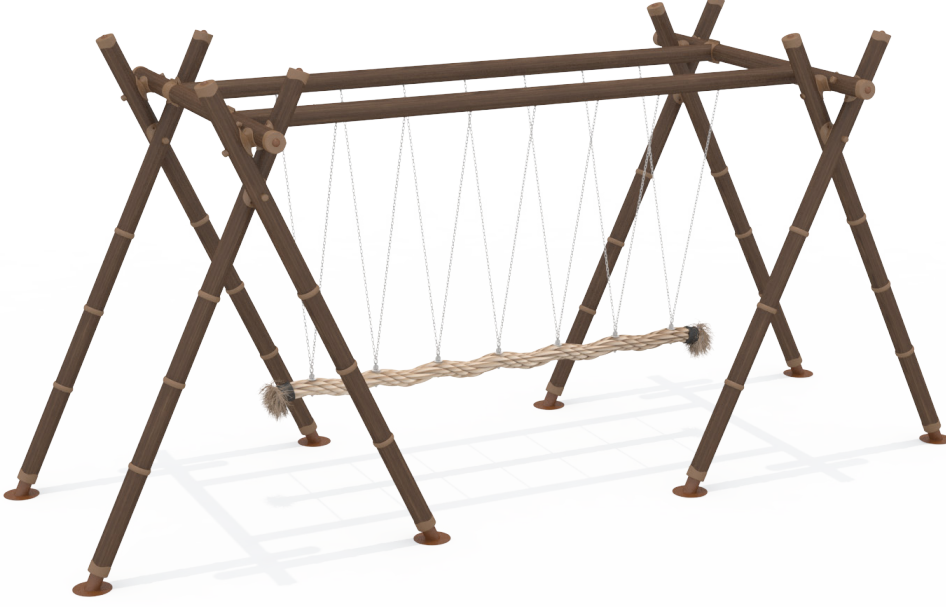


NATURE FREESTANDING

KZ610-SUPER ROPE SWING 6



PRODUCT INFORMATION



Product Line	● Nature
User Ages	● 5+
User Capacity	● 6
Fall Height	● 150cm
Dimension	● 350cm x 800cm
Safety Area	● 78m ²
Safety Dimension	● 650cm x 1200cm
Maximum Height	● 325cm
Weight	● 743kg
Safety Certificate	● EN 1176-2

PRODUCT DESCRIPTION

The swing product, consisting of tower pipes and wood composite material, which is the main component of the product, is designed to allow multiple users to use it, thus contributing to the user's socialization with other children by enabling them to cooperate with other children and be involved in team play.

ACTIVITIES



Balance



Swing



Sitting



Team Play



Socializing

Address: Yukarı Eğercili Mahallesi, Atatürk Bulvarı, No:122 Çarşamba/SAMSUN Post Code: 55500

Tel: +90 362 266 66 96 polfisan@polfisan.com.tr www.polfisan.com.tr



Made in Türkiye



NATURE FREESTANDING

KZ610-SUPER ROPE SWING 6



PRODUCT SPECIFICATION



Number of Users
•
6



Number of Roofs
•
0



Number of Slides
•
0



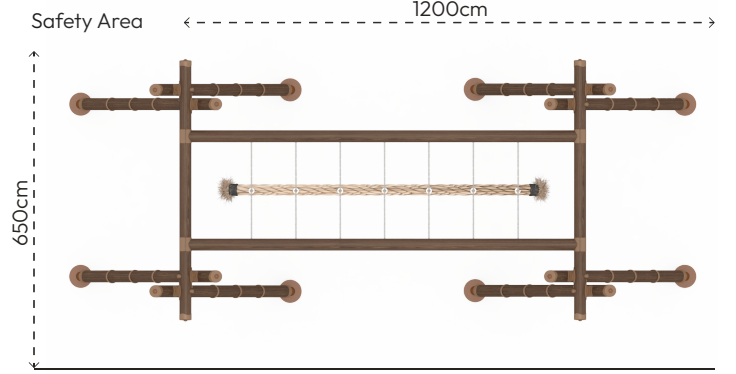
Number of Entrances
•
0

COLOR PALETTE

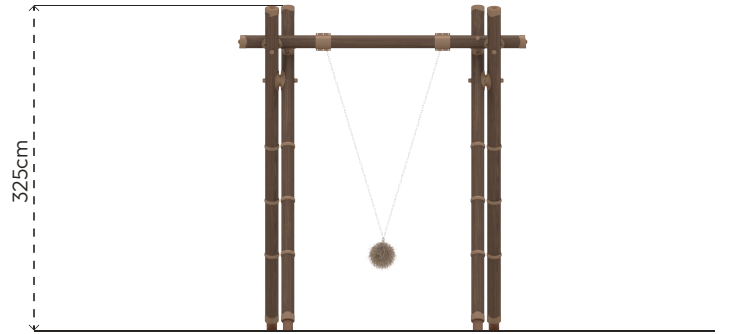


MATERIAL SPECIFICATION

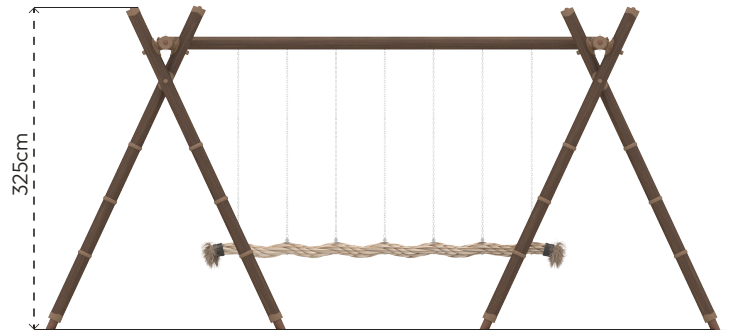
- Main construction is made of steel pipes, diameter 139,7mm and thickness 3mm.
- The product uprights are wood-like composite material with a diameter of 165 mm and a thickness of 12 mm, which covers a steel pipe with a diameter of 139,7 mm, manufactured by extrusion method.
- Main rope is made of 140x140mm propylene material.
- Rope is made of polypropylene braided steel rope, diameter 16mm with 6 steel rope helixes.
- Pipe and profile openings are covered with plastic injection caps.
- Polyamide connectors are used for assembly at the contact points of the pipes.
- The metal surfaces of the product have been cleaned by sandblasting, washing, rinsing, and drying and it has been painted with electrostatic powder coating.
- Screws are covered with plastic caps.
- Product doesn't have sharp edges and surfaces.
- Product has been produced in accordance with EN1176 standards.
- Please contact to Polfisan for updated information about product.



Top View



Side View



Front View

