



NATURE FREESTANDING

KZ613-PHOENIX MERRY

GO ROUND



PRODUCT INFORMATION

Product Line	●	Nature
User Ages	●	12+
User Capacity	●	5
Fall Height	●	100cm
Dimension	●	130cm x 130cm
Safety Area	●	53m ²
Safety Dimension	●	730cm x 730cm
Maximum Height	●	220cm
Weight	●	kg
Safety Certificate	●	EN 1176-5

PRODUCT DESCRIPTION

The carousel, with its rotating body, is a favorite playground activity that attracts users. Spinning on the carousel trains users' sense of balance and improves their vestibular system. The effort they put into spinning strengthens their arm and leg muscles, enhancing their basic skills.

Designed for multiple users to enjoy together, the product, whose main component is made of wood composite material, encourages users to collaborate and socialize.

ACTIVITIES



Spinning



Team Play



Socializing



Hanging





NATURE FREESTANDING

KZ613-PHOENIX MERRY

GO ROUND



PRODUCT SPECIFICATION



Number of Users
•
5



Number of Roofs
•
0



Number of Slides
•
0



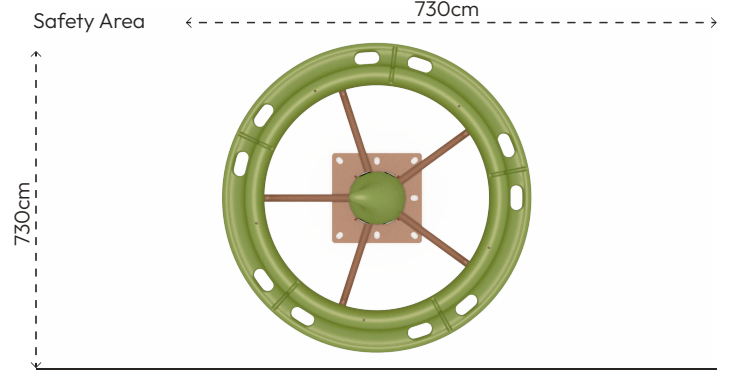
Number of Entrances
•
0

COLOR PALETTE

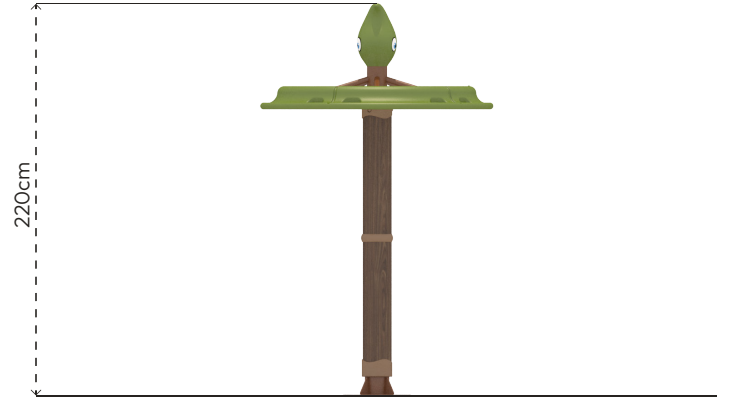


MATERIAL SPECIFICATION

- Main construction is made of steel pipes, diameter 139,7mm and thickness 3mm.
- The product uprights are wood-like composite material with a diameter of 165 mm and a thickness of 12 mm, which covers a steel pipe with a diameter of 139,7 mm, manufactured by extrusion method.
- Handles are made of polyethylene material.
- Steel shaft and rollers are used for making the rotational movement.
- The metal surfaces of the product have been cleaned by sandblasting, washing, rinsing, and drying and it has been painted with electrostatic powder coating.
- Topper is made of medium-density polyethylene material with the rotation technique.
- The floor flange is made of 290x290x10mm steel sheet.
- Screws are covered with plastic caps.
- Product doesn't have sharp edges and surfaces.
- Product has been produced in accordance with EN1176 standards.
- Please contact to Polfisan for updated information about product.



Top View



Side View



Front View

