



NATURE BAR

KZ702



PRODUCT INFORMATION



Product Line	● Nature
User Ages	● 12+
User Capacity	● 11
Fall Height	● 200cm
Dimension	● 300cm x 700cm
Safety Area	● 60m ²
Safety Dimension	● 600cm x 1000cm
Maximum Height	● 300cm
Weight	● 438kg
Safety Certificate	● EN 16630

PRODUCT DESCRIPTION

The Composite Bar, which consists of tower pipes and wood composite material, which is the main component of the product, is designed for users to do sports in the open area and create training plans.

ACTIVITIES



•
Fitness

Address: Yukarı Eğercili Mahallesi, Atatürk Bulvarı, No:122 Çarşamba/SAMSUN Post Code: 55500

Tel: +90 362 266 66 96 polfisan@polfisan.com.tr www.polfisan.com.tr



Made in Türkiye



NATURE BAR

KZ702



PRODUCT SPECIFICATION



Number of Users
•
11



Number of Roofs
•
0



Number of Slides
•
0



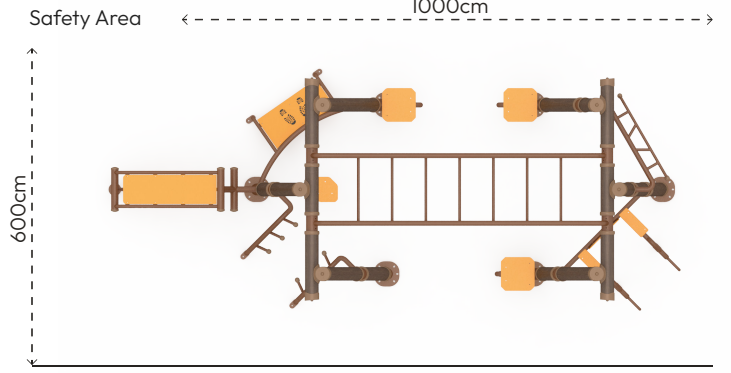
Number of Entrances
•
0

COLOR PALETTE

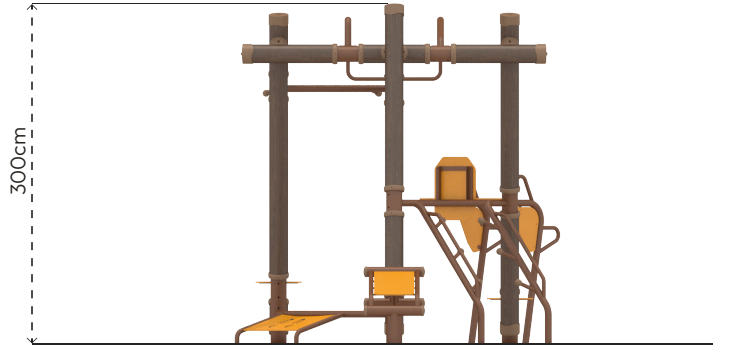


MATERIAL SPECIFICATION

- Main construction is made of steel pipes, diameter 139,7mm and thickness 3mm.
- The product uprights are wood-like composite material with a diameter of 165 mm and a thickness of 12 mm, which covers a steel pipe with a diameter of 139,7 mm, manufactured by extrusion method.
- Pipe and profile openings are covered with plastic injection caps.
- Polyamide connectors are used for assembly at the contact points of the pipes.
- Panels are made of HDPE sheets resistant to abrasion and weather conditions.
- The metal surfaces of the product have been cleaned by sandblasting, washing, rinsing, and drying and it has been painted with electrostatic powder coating.
- Screws are covered with plastic caps.
- Product doesn't have sharp edges and surfaces.
- Product has been produced in accordance with EN16630 standards.
- Please contact to Polfisan for updated information about product.



Top View



Side View



Front View

