

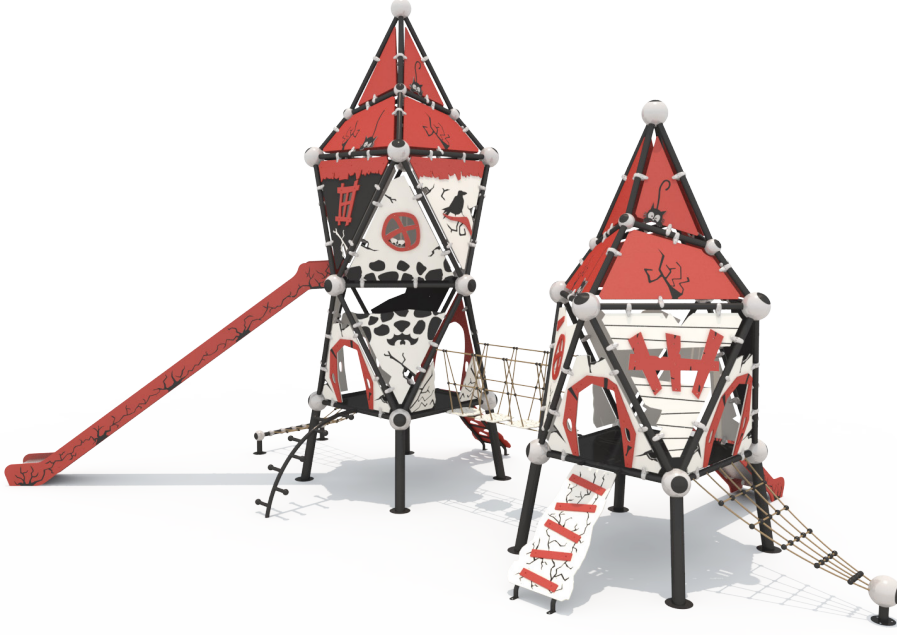


MAGIC HOUSE

LV153



PRODUCT INFORMATION



Product Line	●	Compact Ball
User Ages	●	3-12
User Capacity	●	29
Fall Height	●	250cm
Dimension	●	700cm x 900cm
Safety Area	●	143m ²
Safety Dimension	●	1100cm x 1300cm
Maximum Height	●	588cm
Weight	●	1999kg
Safety Certificate	●	EN 1176-3

PRODUCT DESCRIPTION

Magic House series is an original vertical design that we developed to deconstruct the standard and scary Magic House concept that is in the perception of children and reconstruct it with the Magic Game House concept. In the design, which has soft and relaxing color tones, the images of fear in the minds of the children are stretched as mocking and it is aimed to include the children almost in the fairy tale with the help of their imagination.

ACTIVITIES



Sliding



Climbing



Balance



Running



Sitting



Role Play



Socializing

Address: Yukarı Eğercili Mahallesi, Atatürk Bulvarı, No:122 Çarşamba/SAMSUN Post Code: 55500

Tel: +90 362 266 66 96 polfisan@polfisan.com.tr www.polfisan.com.tr



Made in Türkiye



MAGIC HOUSE

LV153



PRODUCT SPECIFICATION



Number of Users
•
29



Number of Roofs
•
2

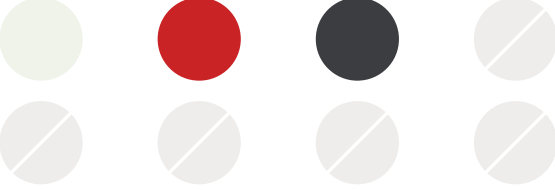


Number of Slides
•
2



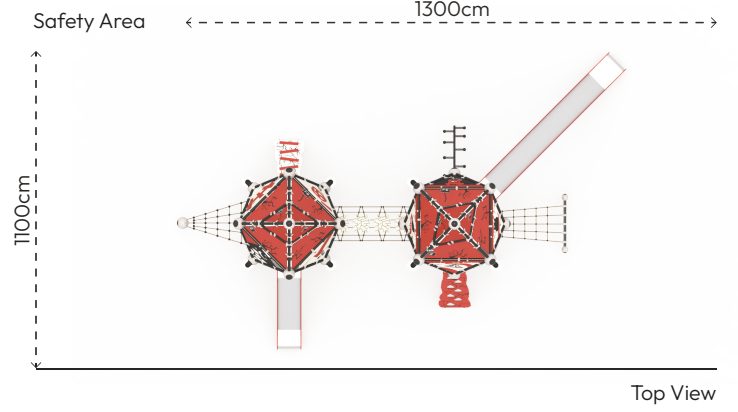
Number of Entrances
•
4

COLOR PALETTE

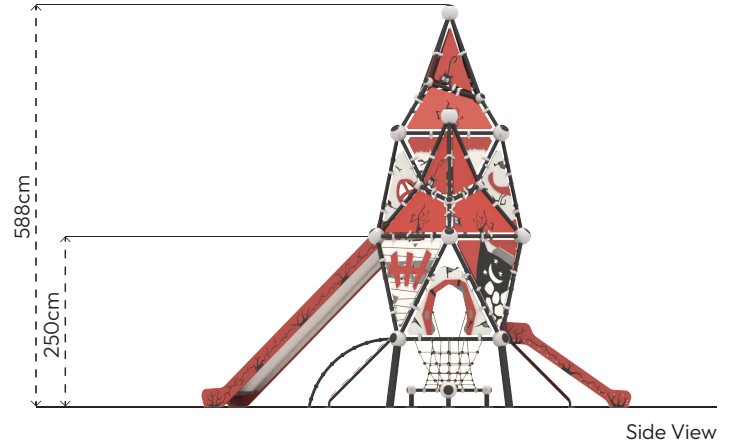


MATERIAL SPECIFICATION

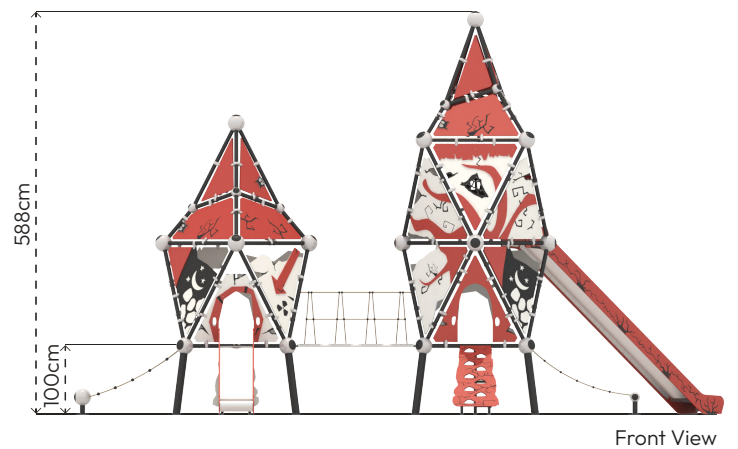
- Main construction is made of $\varnothing 114 \times 2,5$ mm steel pipe. Connector metals are made of $\varnothing 60 \times 3$ mm steel pipes.
- Platforms are made of non-slip plywood panels.
- Roof, railings and panels are made of HPL sheets resistant to all weather conditions.
- Slide surface is high-strength HDPE material with 15mm thickness. Slide walls are made of HPL.
- O-shaped fasteners are produced by aluminium casting. Processed on CNC. Applied zinc primer and painted.
- Rope is made of polypropylene braided steel rope, diameter 16mm with 6 steel rope helices.
- The metal surfaces of the product have been cleaned by sandblasting, washing, rinsing, and drying; zinc primer has been applied to increase corrosion resistance, and it has been painted with electrostatic powder coating.
- Screws are covered with plastic caps.
- Product doesn't have sharp edges and surfaces.
- Product has been produced in accordance with EN1176 standards.
- Please contact to Polfisan for updated information about product.



Top View



Side View



Front View

