

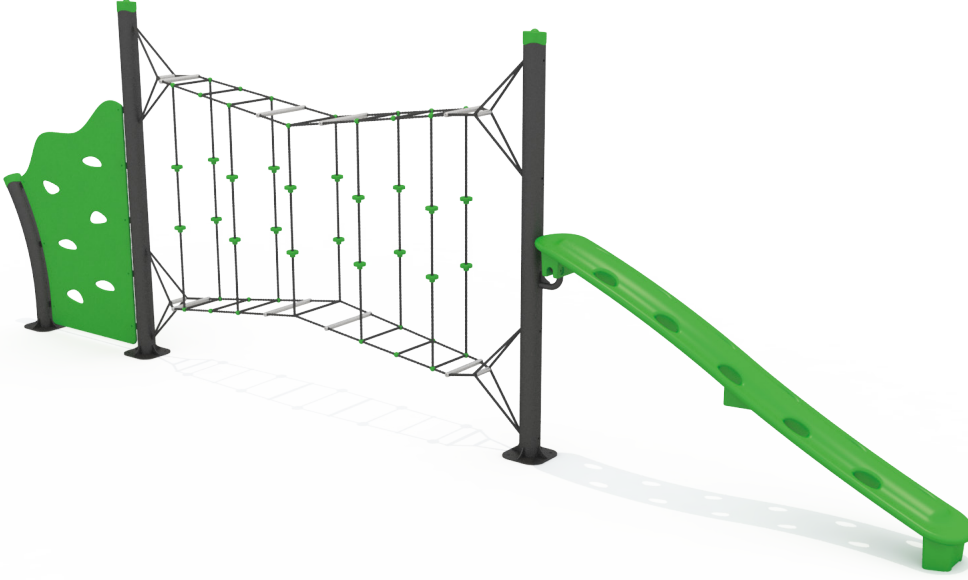


ROPE CLIMBING

RP117-BALANCE



PRODUCT INFORMATION



Product Line	●	Rope
User Ages	●	5-12
User Capacity	●	6
Fall Height	●	130cm
Dimension	●	75cm x 700cm
Safety Area	●	38m ²
Safety Dimension	●	375cm x 1000cm
Maximum Height	●	225cm
Weight	●	150kg
Safety Certificate	●	EN 1176-1

PRODUCT DESCRIPTION

Rope Snake Balance is a climbing product that contains activities such as climbing, hanging, sliding, balancing. It provides basic motor skill development. Increases balance sensitivity.

ACTIVITIES



Sliding



Climbing



Balance



Sitting



Socializing



Hanging



Crawling

Address: Yukarı Eğercili Mahallesi, Atatürk Bulvarı, No:122 Çarşamba/SAMSUN Post Code: 55500

Tel: +90 362 266 66 96 polfisan@polfisan.com.tr www.polfisan.com.tr



Made in Türkiye



ROPE CLIMBING

RP117-BALANCE



PRODUCT SPECIFICATION



Number of Users
•
6



Number of Roofs
•
0



Number of Slides
•
0



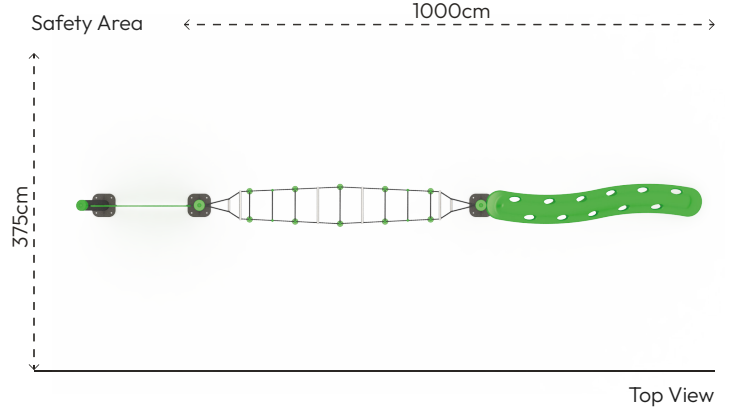
Number of Entrances
•
0

COLOR PALETTE

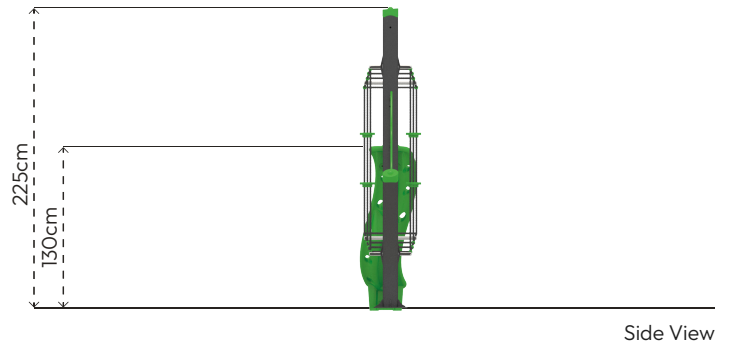


MATERIAL SPECIFICATION

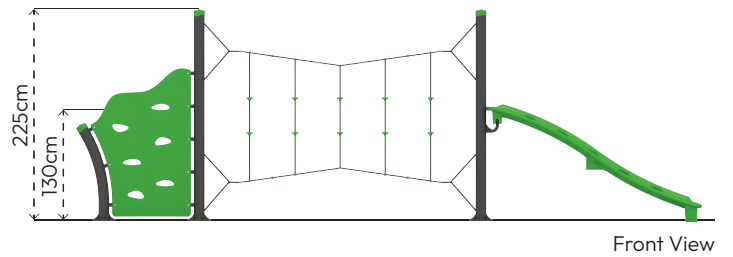
- Main construction is made of steel pipes, diameter 114mm and thickness 2,5mm.
- Rope is made of polypropylene braided steel rope, diameter 16mm with 6 steel rope helixes.
- The metal surfaces of the product have been cleaned by sandblasting, washing, rinsing, and drying and it has been painted with electrostatic powder coating.
- Pipe and profile openings are covered with plastic injection caps.
- Plastic parts are made of medium-density polyethylene material with the rotation technique.
- 15mm HDPE panel is used as climbing which is resistant to abrasion and weather conditions.
- Screws are covered with plastic caps.
- Product doesn't have sharp edges and surfaces.
- Product has been produced in accordance with EN1176 standards.
- Please contact to Polfisan for updated information about product.



Top View



Side View



Front View

