

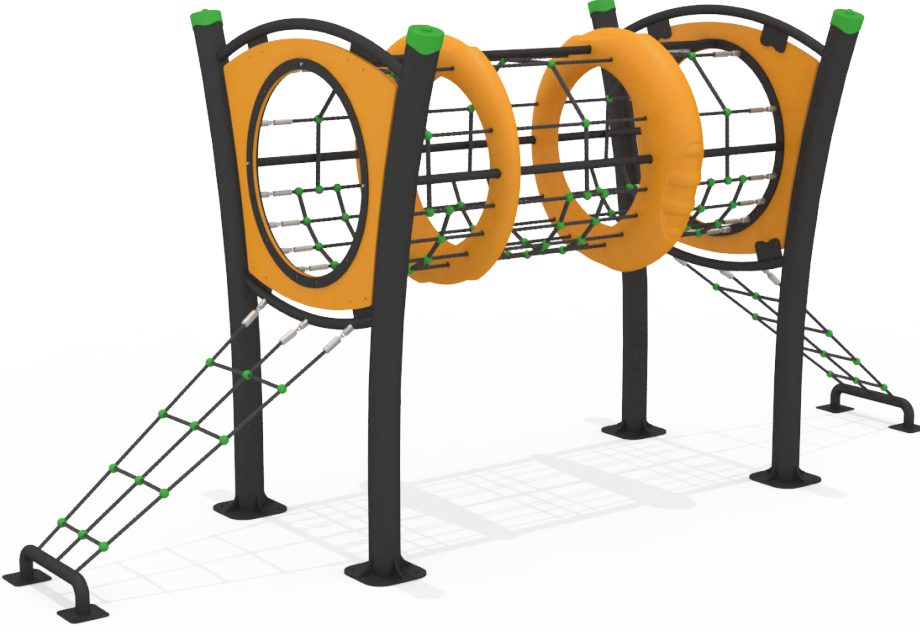


ROPE CLIMBING

RP118-TUNNEL



PRODUCT INFORMATION



Product Line	●	Rope
User Ages	●	5-12
User Capacity	●	4
Fall Height	●	100cm
Dimension	●	160cm x 425cm
Safety Area	●	33m ²
Safety Dimension	●	460cm x 725cm
Maximum Height	●	195cm
Weight	●	315kg
Safety Certificate	●	EN 1176-1

PRODUCT DESCRIPTION

Rope tunnel is a climbing product that provides basic motor skill development of the user with balance, climbing and crawling functions.

ACTIVITIES



Climbing



Balance



Sitting



Socializing



Crawling

Address: Yukarı Eğercili Mahallesi, Atatürk Bulvarı, No:122 Çarşamba/SAMSUN Post Code: 55500

Tel: +90 362 266 66 96 polfisan@polfisan.com.tr www.polfisan.com.tr



Made in Türkiye



ROPE CLIMBING

RP118-TUNNEL



PRODUCT SPECIFICATION



Number of Users
•
4



Number of Roofs
•
0



Number of Slides
•
0



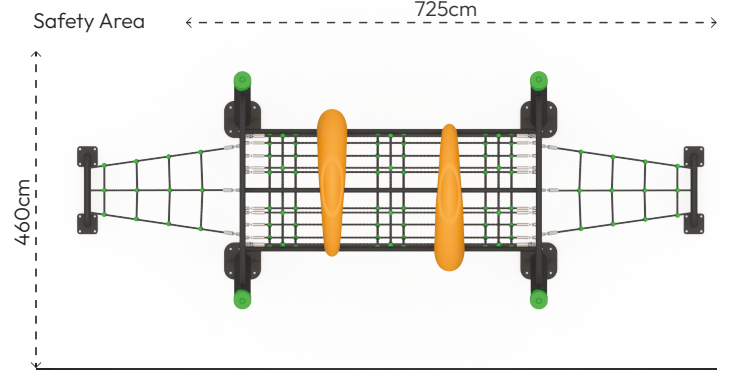
Number of Entrances
•
0

COLOR PALETTE

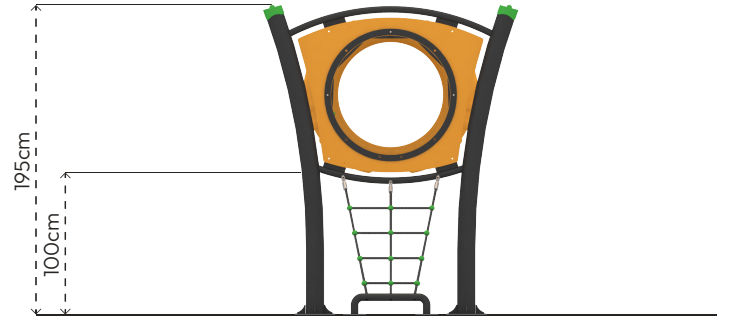


MATERIAL SPECIFICATION

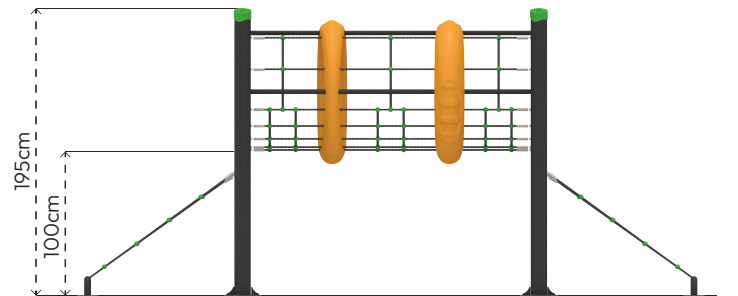
- Main construction is made of steel pipes, diameter 114mm and thickness 2,5mm.
- Rope is made of polypropylene braided steel rope, diameter 16mm with 6 steel rope helices.
- The metal surfaces of the product have been cleaned by sandblasting, washing, rinsing, and drying and it has been painted with electrostatic powder coating.
- Plastic parts are made of medium-density polyethylene material with the rotation technique.
- Plastic end-toppers are made of medium-density polyethylene material with the blow molding technique.
- Screws are covered with plastic caps.
- Product doesn't have sharp edges and surfaces.
- Product has been produced in accordance with EN1176 standards.
- Please contact to Polfisan for updated information about product.



Top View



Side View



Front View

