



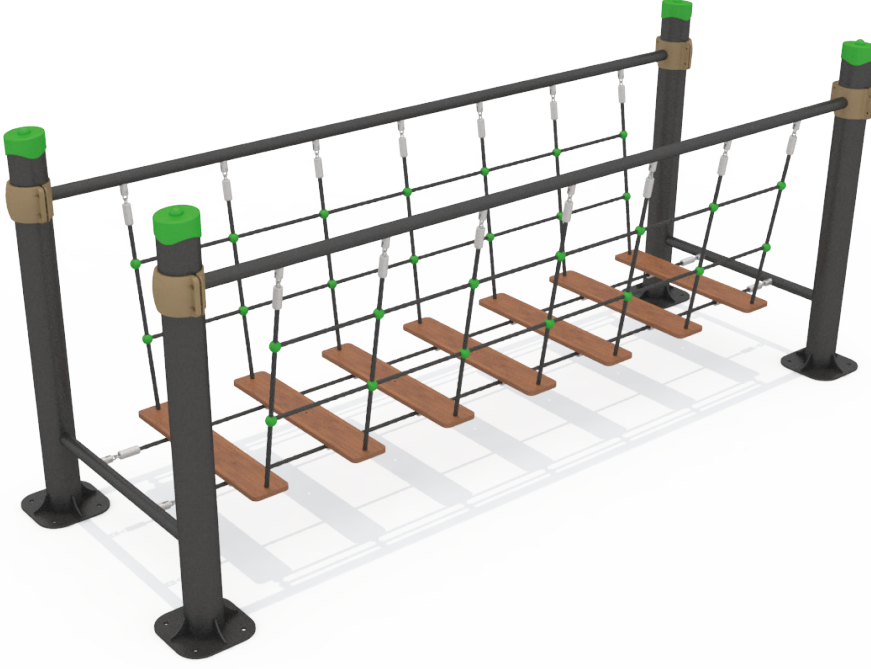
# ROPE CLIMBING

## RP122-BALANCE



### PRODUCT INFORMATION

Product Line	●	Rope
User Ages	●	5-12
User Capacity	●	4
Fall Height	●	30cm
Dimension	●	115cm x 305cm
Safety Area	●	25m <sup>2</sup>
Safety Dimension	●	415cm x 605cm
Maximum Height	●	130cm
Weight	●	164kg
Safety Certificate	●	EN 1176-1



### PRODUCT DESCRIPTION

Rope Wooden Balance is a climbing product that provides basic motor skill development of the user with balance logs. It also increases the user's balance sensitivity.

### ACTIVITIES



Balance



Socializing



Crawling

Address: Yukarı Eğercili Mahallesi, Atatürk Bulvarı, No:122 Çarşamba/SAMSUN Post Code: 55500

Tel: +90 362 266 66 96 polfisan@polfisan.com.tr www.polfisan.com.tr



Made in Türkiye



# ROPE CLIMBING

## RP122-BALANCE



### PRODUCT SPECIFICATION



Number of Users  
•  
4



Number of Roofs  
•  
0



Number of Slides  
•  
0



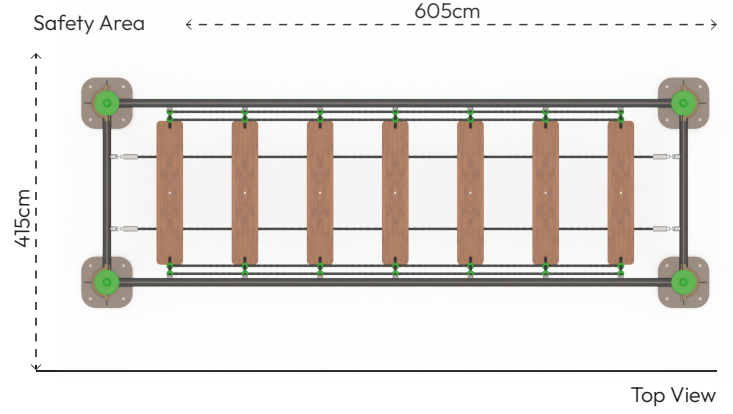
Number of Entrances  
•  
0

### COLOR PALETTE

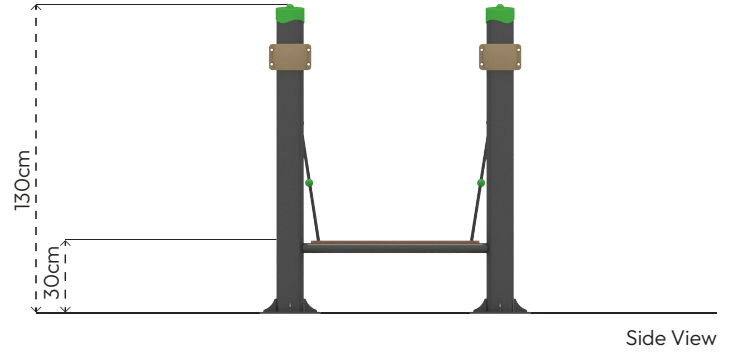


### MATERIAL SPECIFICATION

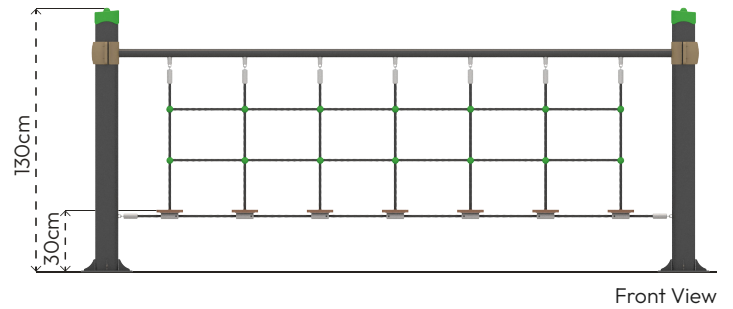
- Structure is made of galvanized steel pipes, diameter 114mm and thickness 2,5mm. It has sharp edges and surfaces.
- Ropes are made of polypropylene braided steel rope, diameter 36mm with 6 steel rope helices.
- Please contact Polfisan for updated information about product, including washing, rinsing, and drying and it has been painted with electrostatic powder coating.
- Plastic end-toppers are made of medium-density polyethylene material with the blow molding technique.
- Step panel is made of 15mm HDPE panels resistant to abrasion and weather conditions.
- Screws are covered with plastic caps.
- Product doesn't have sharp edges and surfaces.
- Product has been produced in accordance with EN1176 standards.
- Please contact to Polfisan for updated information about product.



Top View



Side View



Front View

