



# ROPE SWING

## RP405-SUPER ROPE 3



### PRODUCT INFORMATION



Product Line	●	Rope
User Ages	●	5+
User Capacity	●	3
Fall Height	●	150cm
Dimension	●	350cm x 650cm
Safety Area	●	68m <sup>2</sup>
Safety Dimension	●	650cm x 1050cm
Maximum Height	●	325cm
Weight	●	466kg
Safety Certificate	●	EN 1176-2

### PRODUCT DESCRIPTION

Because Rope Swing is designed to be used by multiple users, it allows the user to collaborate with other children and participate in team play, contributing to socializing with them.

### ACTIVITIES



Balance



Swing



Sitting



Team Play



Socializing

Address: Yukarı Eğercili Mahallesi, Atatürk Bulvarı, No:122 Çarşamba/SAMSUN Post Code: 55500

Tel: +90 362 266 66 96 polfisan@polfisan.com.tr www.polfisan.com.tr



Made in Türkiye



# ROPE SWING

## RP405-SUPER ROPE 3



### PRODUCT SPECIFICATION



Number of  
Users  
•  
3



Number of  
Roofs  
•  
0



Number of  
Slides  
•  
0



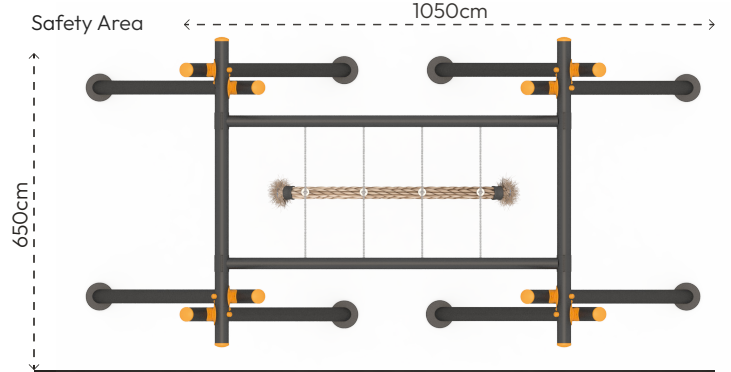
Number of  
Entrances  
•  
0

### COLOR PALETTE

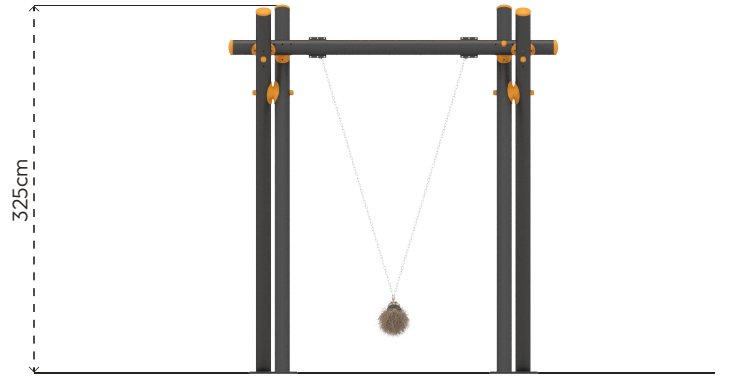


### MATERIAL SPECIFICATION

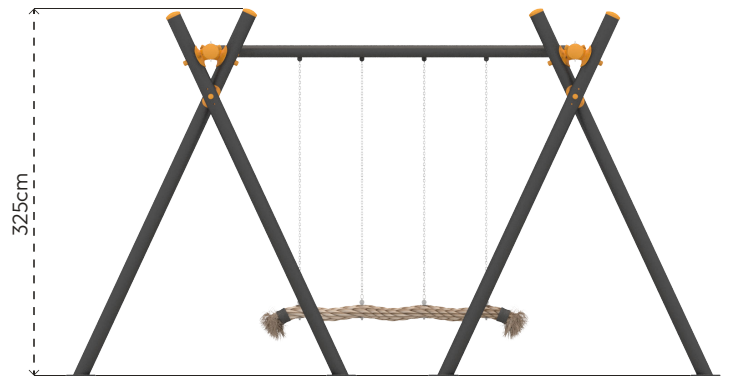
- Main construction is made of steel pipes, diameter 140mm and thickness 3mm.
- Rope is made of polypropylene braided steel rope, diameter 16mm with 6 steel rope helices.
- Main rope is made of 140x140mm propylene material.
- Pipe and profile openings are covered with plastic injection caps.
- The metal surfaces of the product have been cleaned by sandblasting, washing, rinsing, and drying and it has been painted with electrostatic powder coating.
- Polyamide connectors are used for assembly at the contact points of the pipes.
- Screws are covered with plastic caps.
- Product doesn't have sharp edges and surfaces.
- Product has been produced in accordance with EN1176 standards.
- Please contact to Polfisan for updated information about product.



Top View



Side View



Front View

