



# BAR FITNESS

## SB106



### PRODUCT INFORMATION

Product Line	●	Fitness&Training
User Ages	●	12+
User Capacity	●	15
Fall Height	●	145cm
Dimension	●	900cm x 1000cm
Safety Area	●	132m <sup>2</sup>
Safety Dimension	●	1100cm x 1200cm
Maximum Height	●	260cm
Weight	●	682kg
Safety Certificate	●	EN 16630



### PRODUCT DESCRIPTION

Outdoor sports parks allow the user to do sports in practical time periods. The user determines the entry time, exit time, and duration of the sport. Therefore, the user can create a sports plan according to his personal plan and apply it easily.

### ACTIVITIES



•  
Fitness





# BAR FITNESS

## SB106



### PRODUCT SPECIFICATION



Number of  
Users  
•  
15



Number of  
Roofs  
•  
0



Number of  
Slides  
•  
0



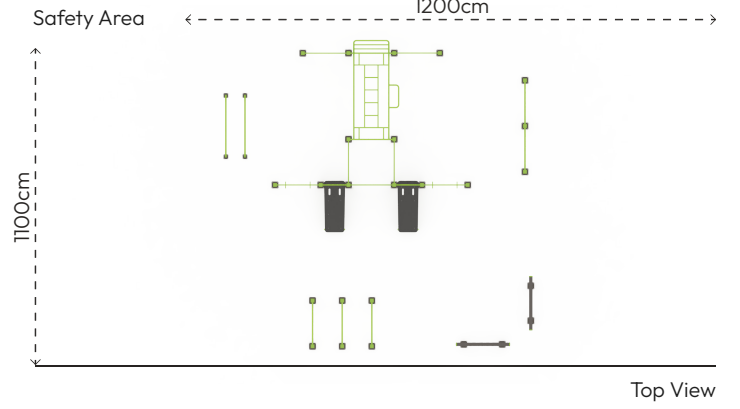
Number of  
Entrances  
•  
0

### COLOR PALETTE

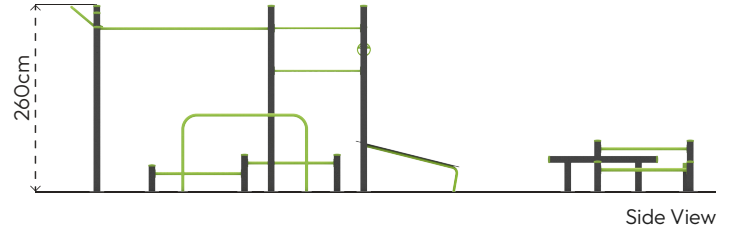


### MATERIAL SPECIFICATION

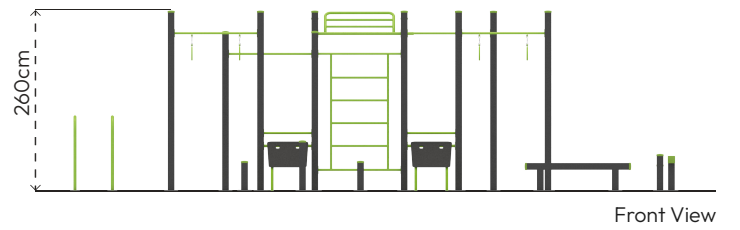
- 100x100mm steel profile is used as main construction.
- Bench is made of HDPE sheets resistant to abrasion and weather conditions.
- The metal surfaces of the product have been cleaned by sandblasting, washing, rinsing, and drying and it has been painted with electrostatic powder coating.
- Bar pipes are made of steel pipes, diameter 33mm and thickness 3,4mm.
- The floor flange is made of 200x200x8mm steel sheet.
- Pipe and profile openings are covered with plastic injection caps.
- Screws are covered with plastic caps.
- Product doesn't have sharp edges and surfaces.
- Product has been produced in accordance with EN16630 standards.
- Please contact to Polfisan for updated information about product.



Top View



Side View



Front View

