

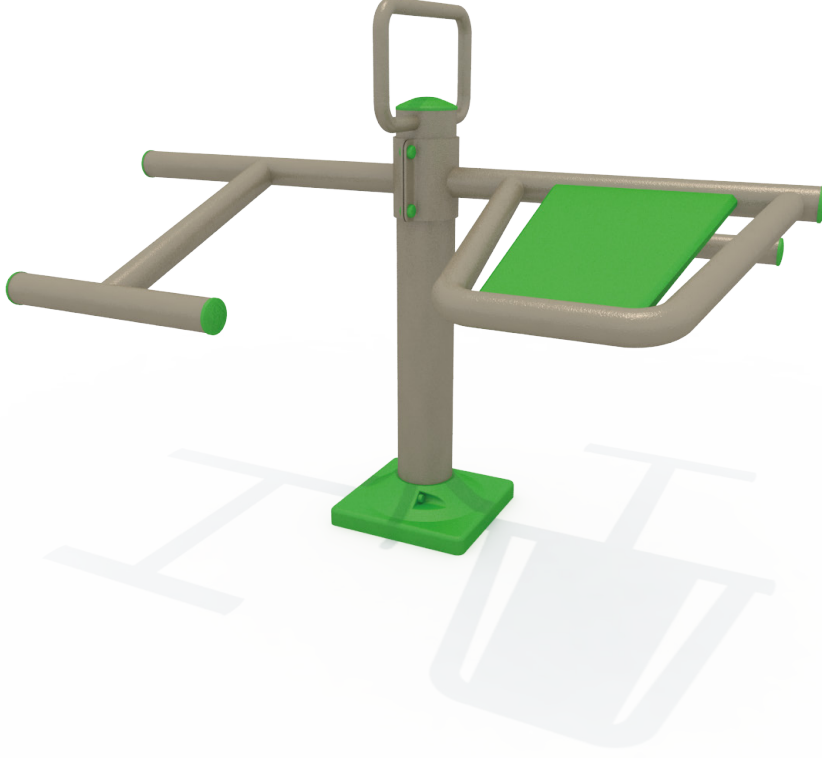


# FITNESS ADULT

## SY110-SHUTTLE & PUSH UP



### PRODUCT INFORMATION



Product Line	●	Fitness&Training
User Ages	●	12+
User Capacity	●	1
Fall Height	●	cm
Dimension	●	90cm x 140cm
Safety Area	●	10m <sup>2</sup>
Safety Dimension	●	290cm x 340cm
Maximum Height	●	100cm
Weight	●	45kg
Safety Certificate	●	EN 16630

### PRODUCT DESCRIPTION

Outdoor sports parks allow the user to do sports in practical time periods. The user determines the entry time, exit time, and duration of the sport. Therefore, the user can create a sports plan according to his personal plan and apply it easily.

### ACTIVITIES



•  
Fitness





# FITNESS ADULT

## SY110-SHUTTLE & PUSH UP



### PRODUCT SPECIFICATION



Number of Users  
•  
2



Number of Roofs  
•  
0



Number of Slides  
•  
0



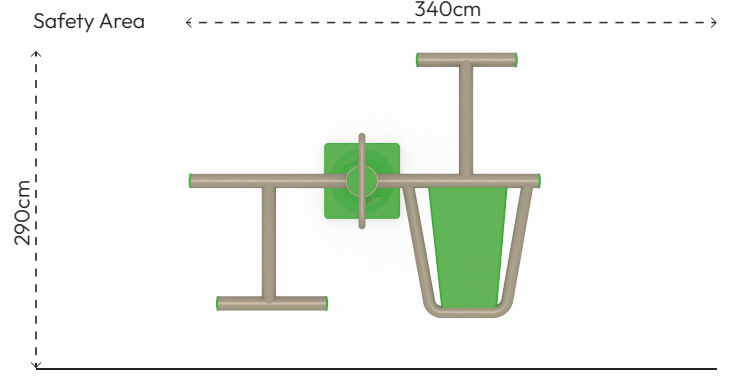
Number of Entrances  
•  
0

### COLOR PALETTE

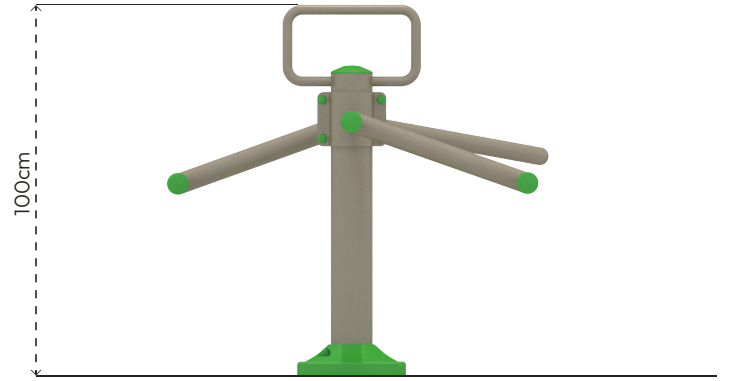


### MATERIAL SPECIFICATION

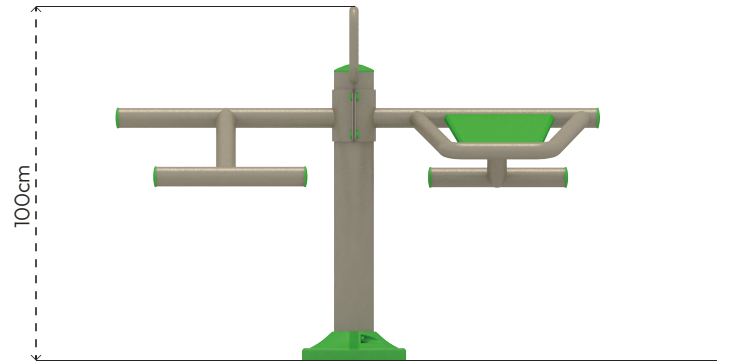
- Main construction is made of steel pipes, diameter 140mm and thickness 3mm.
- Handle, seat, backrest, footrest, mounting cover parts are made of medium-density polyethylene by blow molding technique.
- Steel shaft and rollers are used for making the rotational movement. The moving parts of the product have a stopper system that can be opened up to 55°.
- The metal surfaces of the product have been cleaned by sandblasting, washing, rinsing, and drying and it has been painted with electrostatic powder coating.
- The floor flange is made of 290x290x8mm steel sheet.
- Pipe and profile openings are covered with plastic injection caps.
- Screws are covered with plastic caps.
- Product doesn't have sharp edges and surfaces.
- Product has been produced in accordance with EN16630 standards.
- Please contact to Polfisan for updated information about product.



Top View



Side View



Front View

