



**CACTUS**  
TU127



#### PRODUCT INFORMATION

Product Line	● Climbing
User Ages	● 5-12
User Capacity	● 12
Fall Height	● 200cm
Dimension	● 350cm x 630cm
Safety Area	● 60m <sup>2</sup>
Safety Dimension	● 650cm x 930cm
Maximum Height	● 285cm
Weight	● 385kg
Safety Certificate	● EN 1176-3



#### PRODUCT DESCRIPTION

Designed for climbing and grasping skills, the Cactus series improves the user's basic motor skills. Foot press and grip grips encourage making the right choice. It strengthens hand-foot coordination and bond. The slide also invites younger users to play.

#### ACTIVITIES



Climbing



Balance



Sitting



Socializing



Crawling

Address: Yukarı Eğercili Mahallesi, Atatürk Bulvarı, No:122 Çarşamba/SAMSUN Post Code: 55500

Tel: +90 362 266 66 96 polfisan@polfisan.com.tr www.polfisan.com.tr



Made in Türkiye



**CACTUS**  
TU127



#### PRODUCT SPECIFICATION



Number of  
Users  
•  
12



Number of  
Roofs  
•  
0



Number of  
Slides  
•  
1



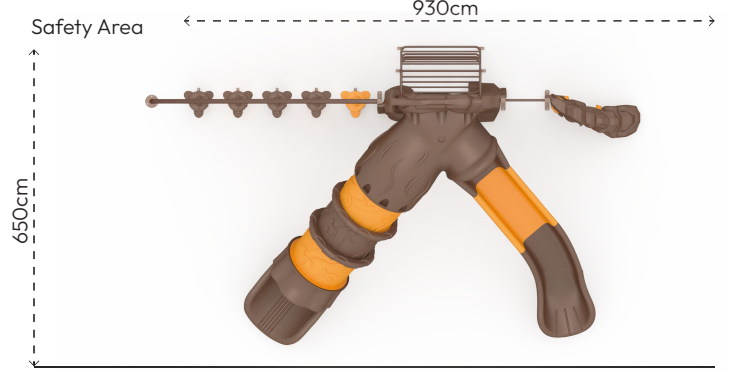
Number of  
Entrances  
•  
1

#### COLOR PALETTE



#### MATERIAL SPECIFICATION

- Main construction is made of steel pipes, diameter 114mm and thickness 2.5mm.
- Plastic climbing units are made of medium-density polyethylene material with the rotation technique.
- The slide is made of medium-density polyethylene material with the rotation technique.
- Tube slide is made of medium-density polyethylene material in a tunnel shape.
- Climbing handles are injection plastics.
- The metal surfaces of the product have been cleaned by sandblasting, washing, rinsing, and drying and it has been painted with electrostatic powder coating.
- Screws are covered with plastic caps.
- Product doesn't have sharp edges and surfaces.
- Product has been produced in accordance with EN1176 standards.
- Please contact to Polfisan for updated information about product.



Top View



Side View



Front View

