

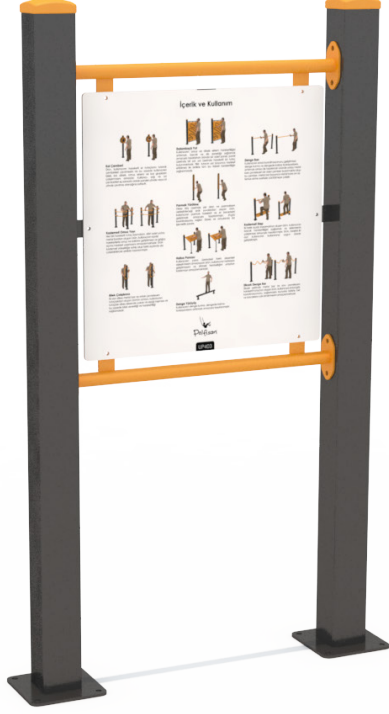


WARNING SINGS

UP403



PRODUCT INFORMATION



| | | |
|--------------------|---|-----------------|
| Product Line | ● | Warning Signs |
| User Ages | ● | - |
| User Capacity | ● | - |
| Fall Height | ● | 0cm |
| Dimension | ● | 50cm x 125cm |
| Safety Area | ● | 2m ² |
| Safety Dimension | ● | 100cm x 175cm |
| Maximum Height | ● | 165cm |
| Weight | ● | 39kg |
| Safety Certificate | ● | EN 1176-1 |

PRODUCT DESCRIPTION

This is an information sign about general usage rules and recommendations about Senior Fitness SS103.

ACTIVITIES



Information





WARNING SINGS

UP403



PRODUCT SPECIFICATION



Number of
Users
•
0



Number of
Roofs
•
0



Number of
Slides
•
0



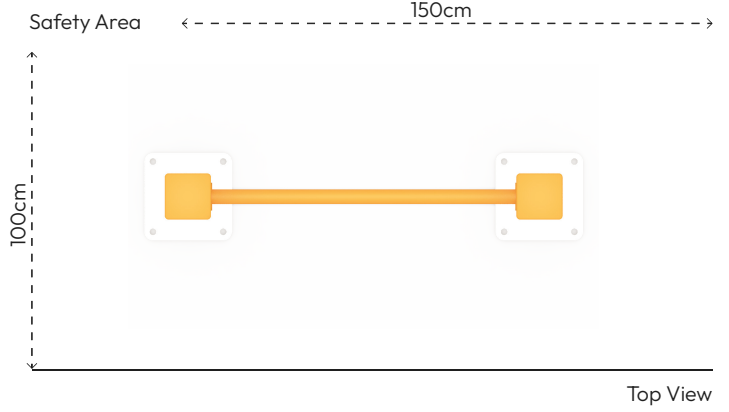
Number of
Entrances
•
0

COLOR PALETTE

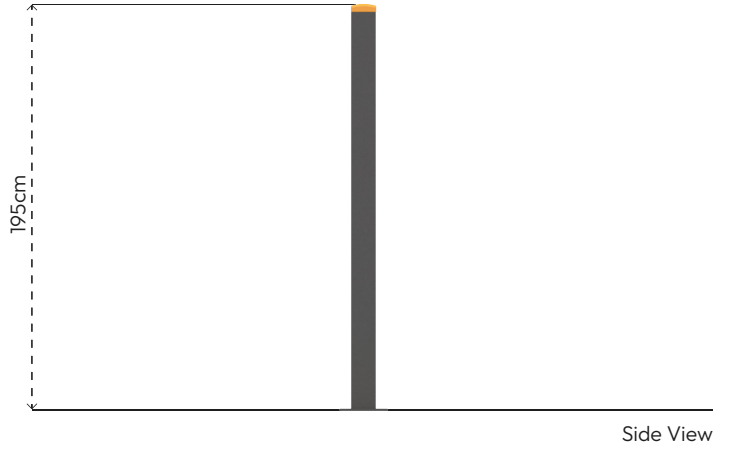


MATERIAL SPECIFICATION

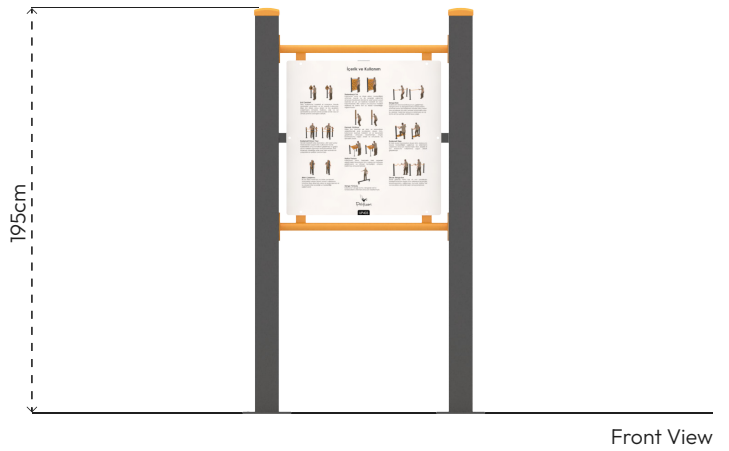
100x100mm steel profile is used as main construction.
Panel is made of composite material which has 4mm thickness.
It is produced using digital printing with high-quality UV curing inks that are resistant to all weather conditions.
Panel's dimension is 60x60cm. Product height is 165cm.
Pipe and profile openings are covered with plastic injection caps.
The metal surfaces of the product have been cleaned by sandblasting, washing, rinsing, and drying and it has been painted with electrostatic powder coating.
Screws are covered with plastic caps.
Product doesn't have sharp edges and surfaces.
Product has been produced in accordance with EN1176 standards.
Please contact to Polfisan for updated information about product.



Top View



Side View



Front View

