



# LAND OF TALES

## HU101



### PRODUCT INFORMATION

Product Line	●	Digital
User Ages	●	3-12
User Capacity	●	17
Fall Height	●	150cm
Dimension	●	563cm x 629cm
Safety Area	●	99m <sup>2</sup>
Safety Dimension	●	963cm x 1029cm
Maximum Height	●	385cm
Weight	●	591kg
Safety Certificate	●	EN 1176-3



### PRODUCT DESCRIPTION

Fairy tales are among the oldest and most powerful forms of storytelling in human history. Passed down from generation to generation, these stories are not only entertaining narratives but also cultural treasures that carry the values, imagination, and wisdom of societies and pass them on to new generations.

Land Of Tales has been designed to introduce children to this rich heritage. The characters featured in this project bring together some of the most beloved heroes from both traditional and universal storytelling traditions.

### ACTIVITIES



Sliding



Climbing



Running



Sitting



Role Play



Thinking



Hand Skill



Socializing





# LAND OF TALES

## HU101



### PRODUCT SPECIFICATION



Number of Users  
•  
17



Number of Roofs  
•  
1



Number of Slides  
•  
2



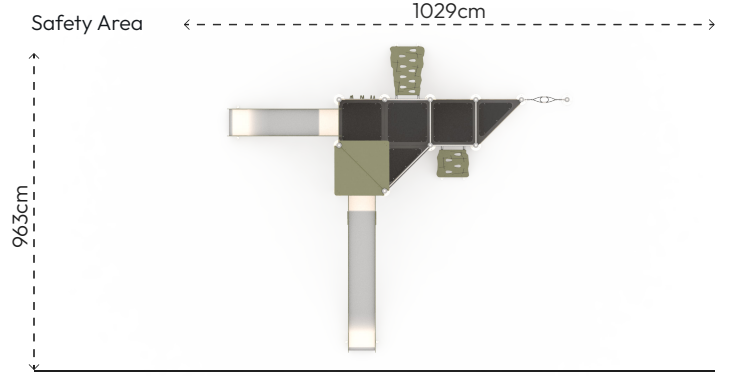
Number of Entrances  
•  
4

### COLOR PALETTE



### MATERIAL SPECIFICATION

- Main construction is made of steel pipes, diameter 89mm and thickness 3mm.
- Platforms are made of 18mm plywood.
- Roof, railings and panels are made of HPL (High Pressure Laminate) and UV-protected Polycarbonate panels, which are resistant to all weather conditions.
- It is produced using digital printing with high-quality UV curing inks that are resistant to all weather conditions.
- Slide surface is high-strength HDPE material with 15mm thickness. Slide walls are made of HPL.
- Tube slide is made of medium-density polyethylene material in a tunnel shape and transparent polycarbonate.
- Rope is made of polypropylene braided steel rope, diameter 16mm with 6 steel rope helices.
- Pipe and profile openings are covered with plastic injection caps.
- The metal surfaces of the product have been cleaned by sandblasting, washing, rinsing, and drying; zinc primer has been applied to increase corrosion resistance, and it has been painted with electrostatic powder coating.
- Screws are covered with plastic caps.
- Product doesn't have sharp edges and surfaces.
- Product has been produced in accordance with EN1176 standards.
- Please contact to Polfisan for updated information about product.



Top View



Side View



Front View

