



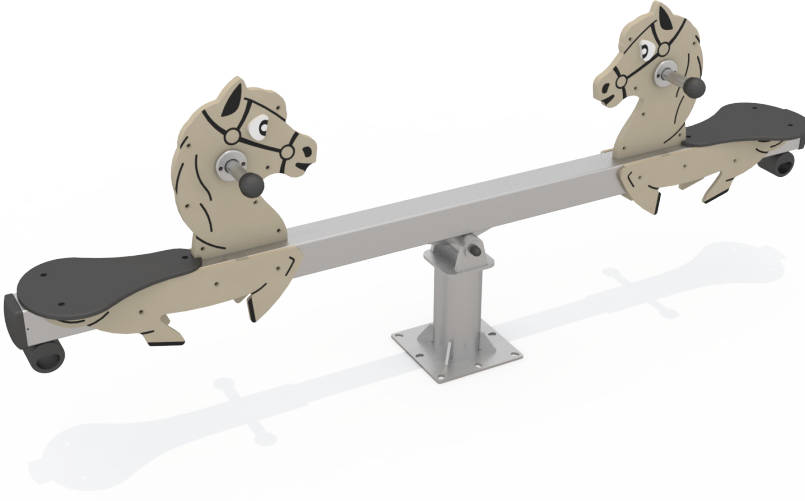
COMPACT SEESAW

HB312-HORSE



PRODUCT INFORMATION

Product Line	●	Compact
User Ages	●	3-12
User Capacity	●	2
Fall Height	●	80cm
Dimension	●	36cm x 255cm
Safety Area	●	11m ²
Safety Dimension	●	236cm x 455cm
Maximum Height	●	100cm
Weight	●	70kg
Safety Certificate	●	EN 1176-6



PRODUCT DESCRIPTION

The seesaw allows children of different ages and weights to spring together. The team encourages them to set up the game. It allows them to follow the movements of other children. In this way, it increases their empathy and attention skills

ACTIVITIES



Balance



Sitting



Team Play



Socializing

Address: Yukarı Eğercili Mahallesi, Atatürk Bulvarı, No:122 Çarşamba/SAMSUN Post Code: 55500

Tel: +90 362 266 66 96 polfisan@polfisan.com.tr www.polfisan.com.tr



Made in Türkiye



COMPACT SEESAW

HB312-HORSE



PRODUCT SPECIFICATION



Number of
Users
•
2



Number of
Roofs
•
0



Number of
Slides
•
0



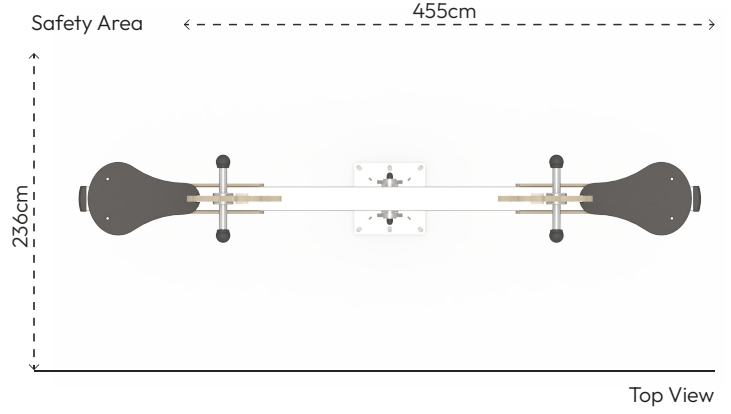
Number of
Entrances
•
0

COLOR PALETTE

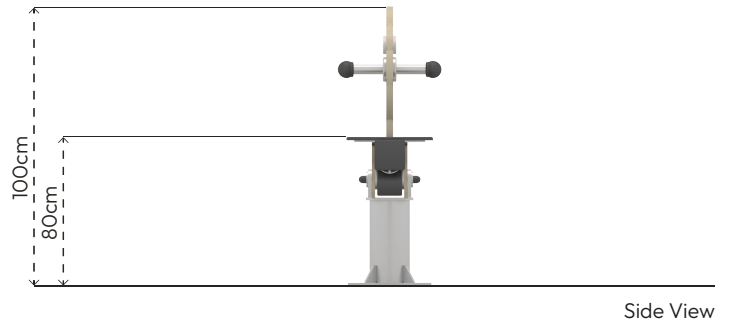


MATERIAL SPECIFICATION

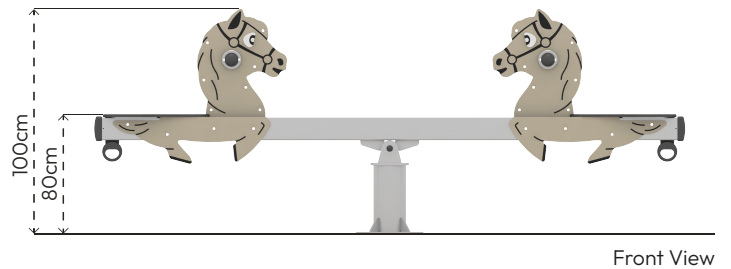
- Main pipe is made of 140x3mm pipe, the horizontal profile is made of 100x100x2.5mm steel.
- Panels are made of HPL sheets resistant to all weather conditions.
- The metal surfaces of the product have been cleaned by sandblasting, washing, rinsing, and drying; zinc primer has been applied to increase corrosion resistance, and it has been painted with electrostatic powder coating.
- The floor flange is made of 290x290x8mm steel sheet.
- Pipe and profile openings are covered with plastic injection caps.
- Screws are covered with plastic caps.
- Product doesn't have sharp edges and surfaces.
- Product has been produced in accordance with EN1176 standards.
- Please contact to Polfisan for updated information about product.



Top View



Side View



Front View

