



# NATURE PLAYGROUND

## KZ129



### PRODUCT INFORMATION



Product Line	●	Nature
User Ages	●	3-12
User Capacity	●	22
Fall Height	●	150cm
Dimension	●	740cm x 1100cm
Safety Area	●	146m <sup>2</sup>
Safety Dimension	●	1040cm x 1400cm
Maximum Height	●	425cm
Weight	●	kg
Safety Certificate	●	EN 1176-3

### PRODUCT DESCRIPTION

Nature product is a playground whose main pipes covered by high-quality wooden composite material. It has colors of nature in all of the remaining components. In addition to the stairs used in standard playground series, access richness has provided to users with various access elements.

### ACTIVITIES



Sliding



Climbing



Sitting



Socializing



Crawling

Address: Yukarı Eğercili Mahallesi, Atatürk Bulvarı, No:122 Çarşamba/SAMSUN Post Code: 55500

Tel: +90 362 266 66 96 polfisan@polfisan.com.tr www.polfisan.com.tr



Made in Türkiye



# NATURE PLAYGROUND

## KZ129



### PRODUCT SPECIFICATION



Number of Users  
•  
22



Number of Roofs  
•  
1



Number of Slides  
•  
2



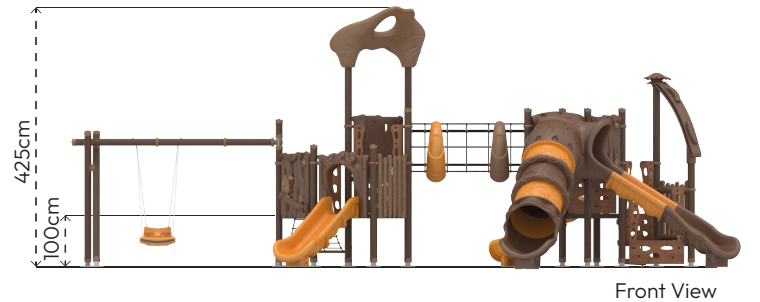
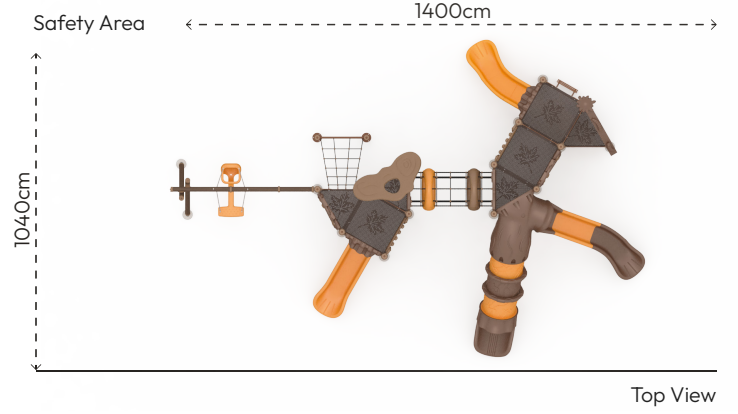
Number of Entrances  
•  
3

### COLOR PALETTE



### MATERIAL SPECIFICATION

- Main construction is made of steel pipes, diameter 89,9mm and thickness 2,5mm.
- The product uprights are wood-like composite material with a diameter of 114 mm and a thickness of 12 mm, which covers a steel pipe with a diameter of 89,9 mm, manufactured by extrusion method.
- Platforms are made of steel sheet which has 2mm thickness and covered with PVC plastisol.
- Roof, slide and panels are made of medium-density polyethylene material with the rotation technique.
- Rope is made of polypropylene braided steel rope, diameter 16mm with 6 steel rope helices.
- The chain is produced with a smooth surface coating, 5mm thick, hot-dip galvanized.  
Plastic seat is made of medium-density polyethylene material.
- Pipe and profile openings are covered with plastic injection caps.
- The metal surfaces of the product have been cleaned by sandblasting, washing, rinsing, and drying and it has been painted with electrostatic powder coating.
- Screws are covered with plastic caps.
- Product doesn't have sharp edges and surfaces.
- Product has been produced in accordance with EN1176 standards.
- Please contact to Polfisan for updated information about product.



Address: Yukarı Eğercili Mahallesi, Atatürk Bulvarı, No:122 Çarşamba/SAMSUN Post Code: 55500

Tel: +90 362 266 66 96 polfisan@polfisan.com.tr www.polfisan.com.tr



Made in Türkiye